



Assembly Instructions

Pop-Up Trees

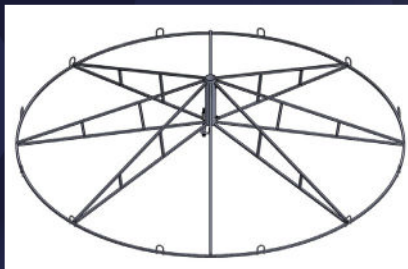


Popup Trees

Our Pop-Up trees—a versatile, easy-to-install decoration that is perfect for any space. Built with a sturdy base, durable pipes, and beautifully wrapped garland and lights; these trees are designed to create a festive atmosphere with minimal effort.

Note: *These steps are guidelines only. It is the responsibility of the installer to contrive an installation which is safe, and complies with all local codes.*

NECESSARY COMPONENTS



Base



Pipe



Tree Top Fitting



Garland, Chains, and Lights



Optional Guy Kit



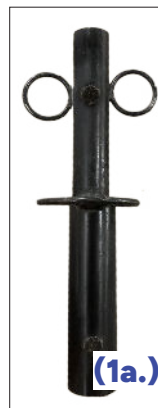
Topper (Sold Separately)

Step One

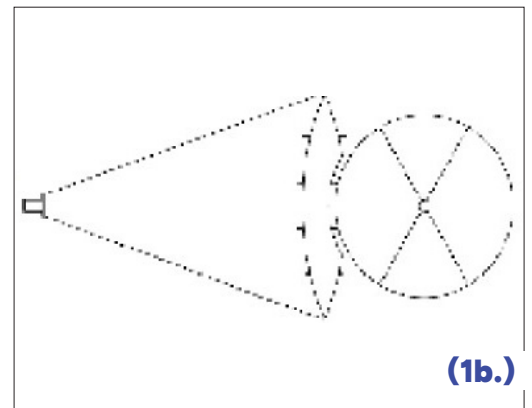
Set Up Layout & Check Connection(s)

Using the pipe-top fitting as a handle (1a.), carefully pull the tree's body—composed of garland, chains, and lighting—out of the carton. Lay it to the side so it forms a flat triangle, with the base positioned flat at the wider end. (1b.)

Our trees are created with the base either attached or unattached, depending on the height of the decoration. If the base is already attached to the body of the tree, please skip to **Step 3**.



(1a.)



(1b.)

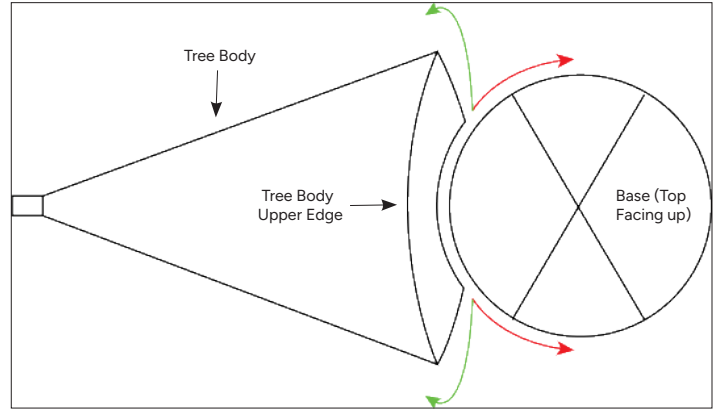
Step Two

If Tree & Base are Not Attached

At the wide, open end of the tree's body, fold back the upper edge of the garland to reveal the lower lip.

Starting at the center, attach the snap hooks to the rim loops on the base, working from the lower edge (following the red and green arrows) to the upper edge and gradually pulling the tree body toward and over the base.

Take care to avoid snagging on the base's center pipe socket while doing this.



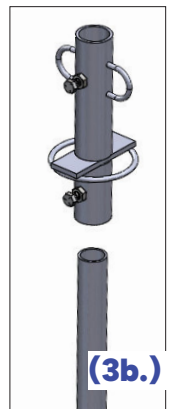
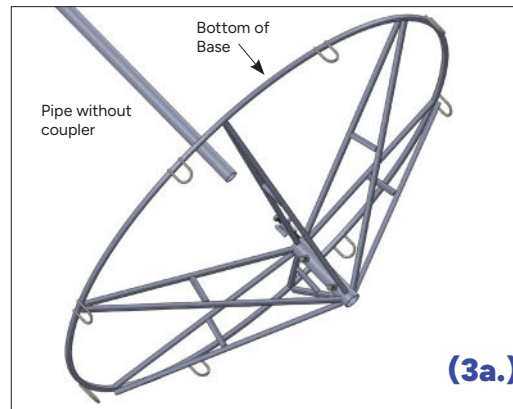
Step Three

Base Assembly Positioning & Single Pipe Install

With personnel positioned as needed, ensure the tree base is perpendicular to the ground, creating a horizontal cone shape with the tree body. (3a.)

If the tree includes a multi-section center pipe, proceed to **Step 4**.

For a single-pipe tree, insert the pipe through the base and into the **tree top fitting**. (3b.) Tighten the set screws on the coupler and the **tree top fitting**. Proceed to **Step 5**.

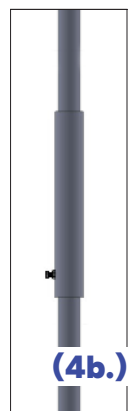
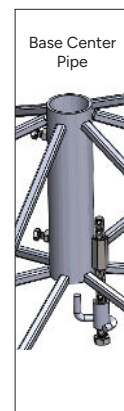
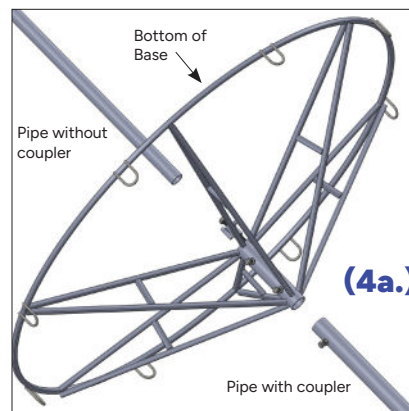


Step Four

Multi-Section Pipe Install

Take the pipe section without a coupler on one end and pass it through the base center pipe and into the pipe with coupler. (4a.)

Insert the pipe through the base and into the tree cone. Tighten the set screws on the coupler and the **tree top fitting**. (4b.)





Assembly Instructions

Pop-Up Trees

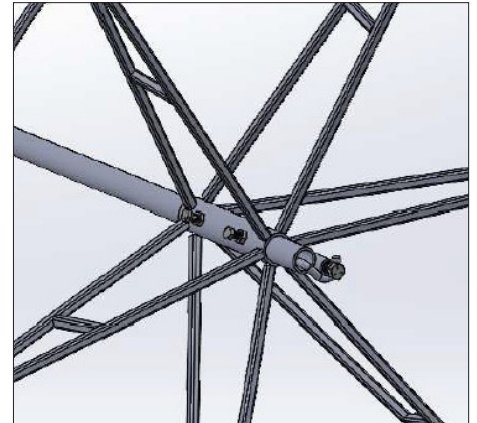
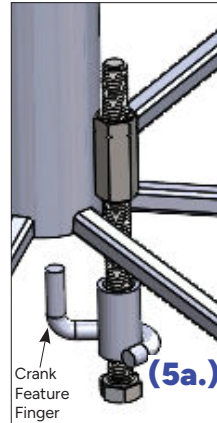
Step Five

Crank Feature and Tension

Insert pipe until passed the finger of the provided crank feature. (5a.) Rotate the finger of the crank until it is under the exposed end of the pipe. Use the provided crank feature to apply pressure to the exposed end of the pipe and tension the chains.

Note: Do not over-tighten. Some sag is acceptable while the tree is on its side.

Tighten the set bolts to secure the pipe, then slightly release the crank to reduce tension.



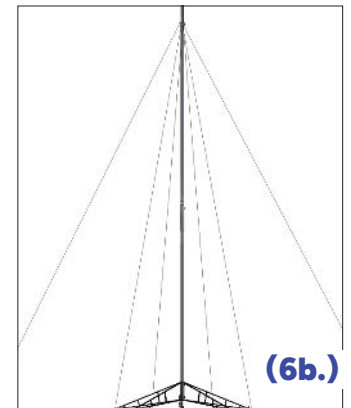
Step Six

Add The Extras & Stand Up

Attach optional tree-top decoration at this point. (6a.) Place in the socket at the top of the tree, and connect its power lead to the designated socket.

Install the optional guying kit (if desired.) (6b.)

Tilt the assembled tree upright onto its base, stake the guy cables (if applicable), and connect the power lead.



Thank you for choosing us to bring holiday joy and light to your display. For more information about our products, please contact your design consultant. You can also visit our website to explore additional decorations and see what's new this season.

We're grateful for the opportunity to be part of your holiday celebrations.

- The Holiday Outdoor Decor Family

