



Assembly Instructions

Pole Mounts

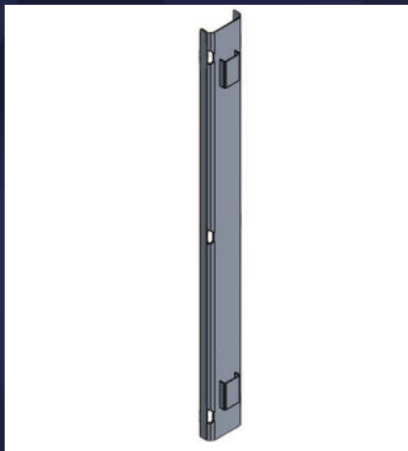


Pole Mounts

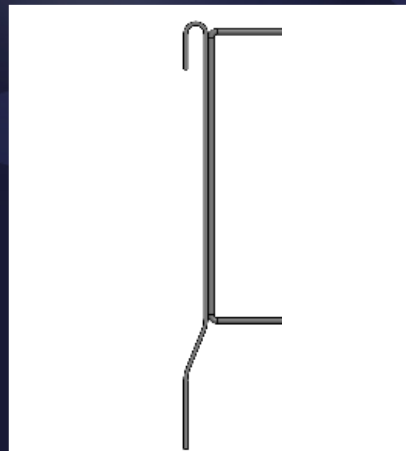
Pole-mounted displays provide an effective and versatile way to showcase holiday decorations in outdoor spaces. Designed for side, center mounting on poles or posts, they are ideal for lining streets, enhancing shopping centers, or adding festive charm to neighborhoods.

Note: *These steps are guidelines only. It is the responsibility of the installer to contrive an installation which is safe, and complies with all local codes.*

NECESSARY COMPONENTS



Pole Plate



Backbone



Banding Strap(s)

Standard & Mini Backbone

Instructions for Setup

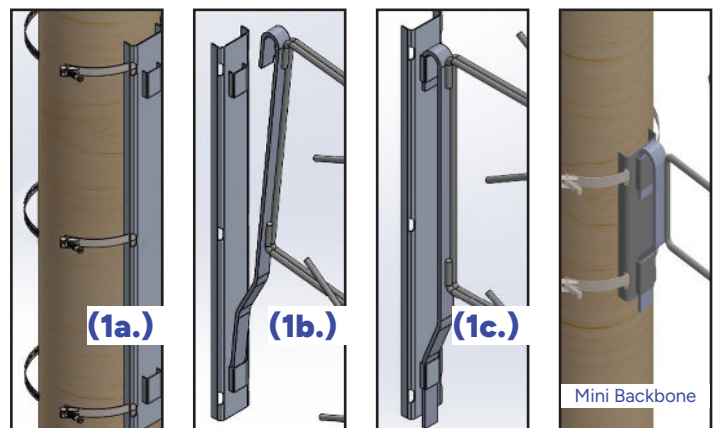
Secure pole plate to utility pole using supplied stainless steel banding straps. (1a.)

Insert bottom tang of decoration first. (1b.)

Align top hook and drop into place. (1c.)

Connect the power lead.

Note: *Pole plates may be left in place year round if desired.*





Assembly Instructions

Pole Mounts

Direct Mount

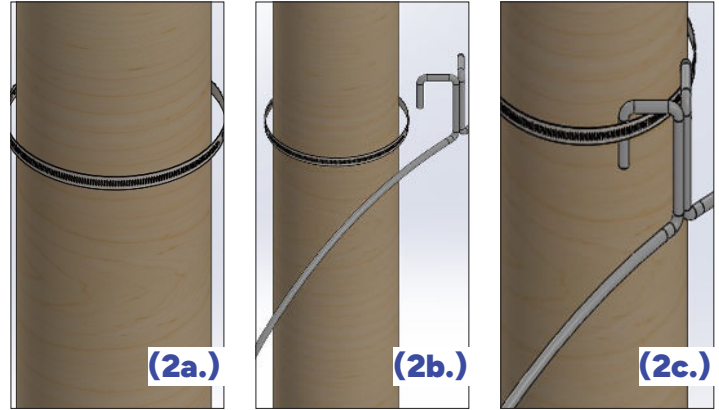
Instructions for Setup

Loosely wrap the stainless steel banding strap around the pole, do not fully tighten. (2a.)

Attach the direct mount bracket by hooking it onto the banding strap. (2b.)

Tighten the banding strap securely. (2c.)

Connect the power lead.



Spade Mount

Instructions for Setup

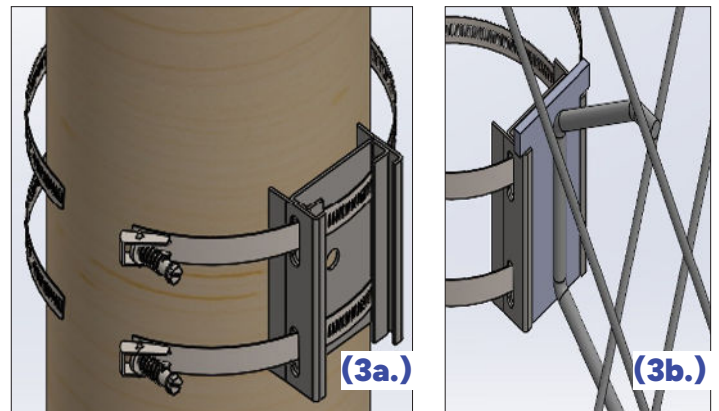
Secure spade mount bracket to utility pole using supplied stainless steel banding straps. (3a.)

Insert bottom tang of spade tongue first.

Align vertically & drop into place. (3b.)

Connect the power lead.

Note: Pole plates may be left in place year round if desired.



Thank you for choosing us to bring holiday joy and light to your display. For more information about our products, please contact your design consultant. You can also visit our website to explore additional decorations and see what's new this season.

We're grateful for the opportunity to be part of your holiday celebrations.

- The Holiday Outdoor Decor Family

