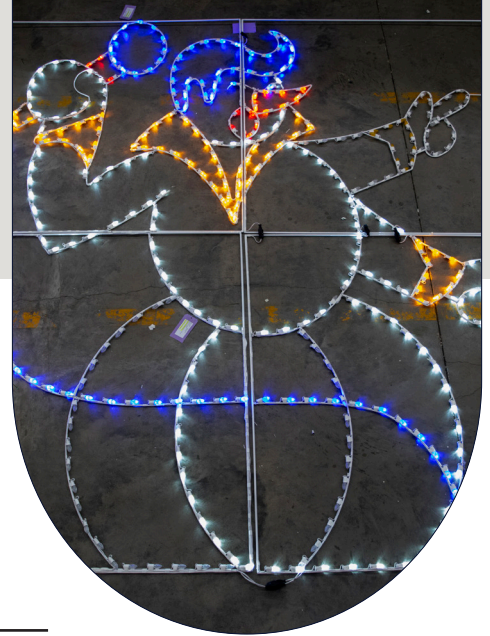




# Assembly Instructions

## Pipe Hung Ground Mounts

13' Tall and Below



### Pipe Hung Ground Mounts

Our larger traditional ground mount decorations are designed in a pipe hung style. This design is crafted from multiple panels that connect to form a complete image. Each panel is mounted on pipes attached to ground stands and secured with tension cables to ensure stability. Once assembled, the panels are plugged together to create a cohesive, illuminated display.

### Benefits of Pipe Hung Decorations:

#### Enhanced Structural Integrity

The pipe-hung design provides greater stability and durability, making the decoration more structurally sound and able to withstand outdoor elements.

#### Ease of Assembly and Installation

The modular panels simplify setup and breakdown, saving time and effort during installation.

#### Compact Storage

The design breaks down into smaller components, making it easy to store and saving valuable space when not in use.

#### Secure Anchoring

The addition of tension cables ensures the decoration stays securely upright, even in windy conditions.

#### Efficient Lighting Connectivity

Plugging the panels together creates a seamless, illuminated design with fewer power sources required.

#### Longevity and Reusability

Built to endure seasonal use, these decorations can be reused year after year without compromising quality.

NECESSARY COMPONENTS



Panels



1" Pipe



Conduit Hangers



Heavy Duty 1" Pipe Stand



Guy Kit



Rope Clips



# Assembly Instructions

## Pipe Hung Ground Mounts

### 13' Tall and Below



## Important Information – Please Read Before Beginning Assembly

For decorations over 14 feet in height, additional structural support is required to ensure stability during installation and display. If your decoration is 14 feet tall or taller, please skip ahead to **Page 5** for specific assembly instructions tailored to larger decorations.

## Step One

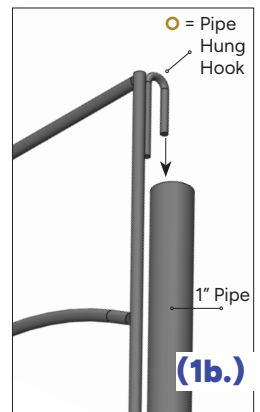
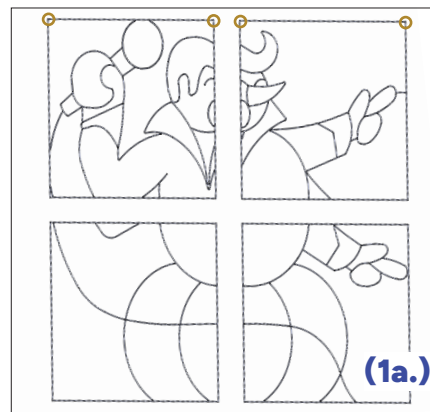
### Set Up Layout & Check Connection(s)

Gather all components before getting started.

Position the panels on the ground first. (1a.)

Arrange the panels as they will be displayed to confirm accurate spacing and alignment. Test all connections to ensure proper illumination.

Top panel(s) will have a component attached called a "Pipe hung hook" for attaching it to the **1" pipe**. (1b.)

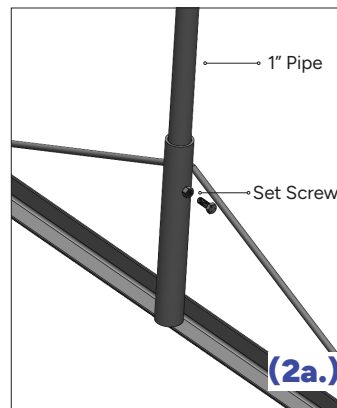


## Step Two

### Set Up Stands & Pipes

Position the **Heavy Duty Pipe Stands** (2a.) at the base of the display. Align with the layout of the decoration to ensure proper spacing of panels.

The pipe lengths correspond with the display height. Depending on the size of the decoration, the pipe may be in two pieces with a male/female connection. (2b.) The male/female pipe connection has a set screw that needs tightened after joining the two pieces together.





# Assembly Instructions

## Pipe Hung Ground Mounts

### 13' Tall and Below

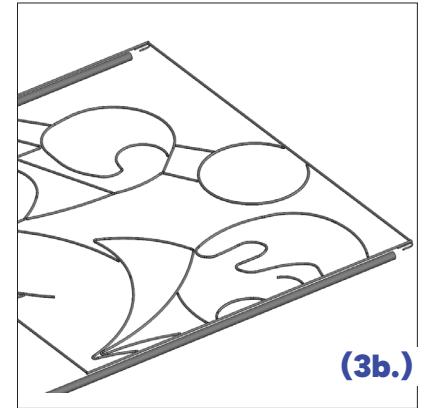
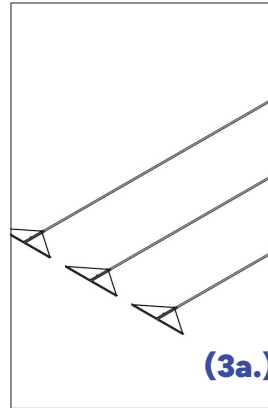
## Step Three

### Assemble Pipes to Stands & Attach Top Panels

While still working flat on the ground, insert the bottom of the pipes into the hole at the top of the stands. Do not tighten set bolts. (3a.)

Lay top-tier frame panels on pipes, inserting pipe-hung hooks into top of pipes. (3b.)

Secure each side of these frame panels to the pipes using the supplied **conduit clips**.



## Step Four

### Build Out the Rest of The Decoration

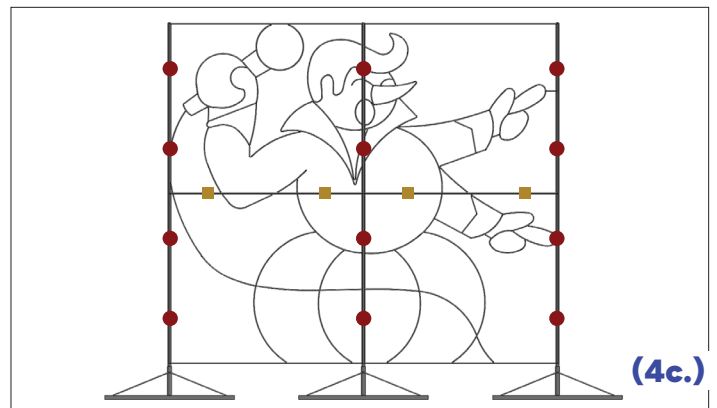
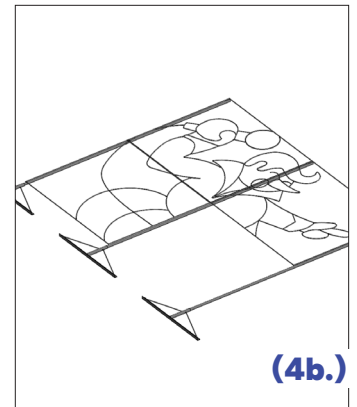
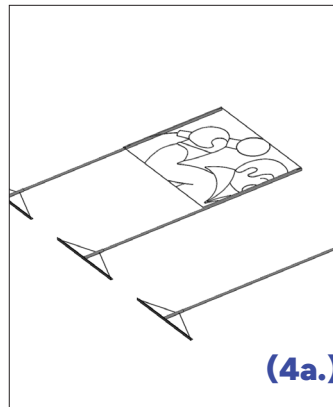
Attach each panel to the one above it vertically using two supplied **3/8" wire rope clips**. (4a.)

Secure the sides of each frame panel to the pipes using the supplied **conduit clips**. (4b.)

Position the next tier of frame panels along the pipes, aligning them with the preceding tier.

Repeat the process by attaching each new panel to the one above it with **3/8" wire rope clips** and securing the sides of each panel to the pipes with **conduit clips**. Continue this sequence for each subsequent tier until all panels are connected and securely attached to the pipes. (4c.)

**Please see key for clip placement:**



\*Note: Stands are horizontal because item is shown laying flat on ground.



## Assembly Instructions

### Pipe Hung Ground Mounts

13' Tall and Below

## Step Five

### Lift Decoration and Guy Kit to Secure

Thread a provided guy cables through the top of the frame for each pipe and secure it with a 1/8" wire rope clip, leaving tails of equal length.

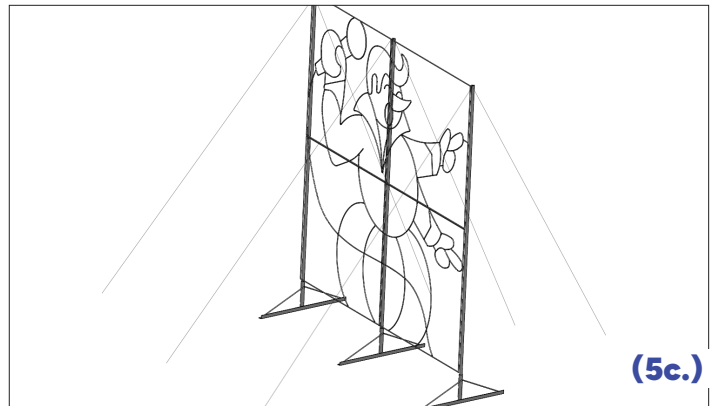
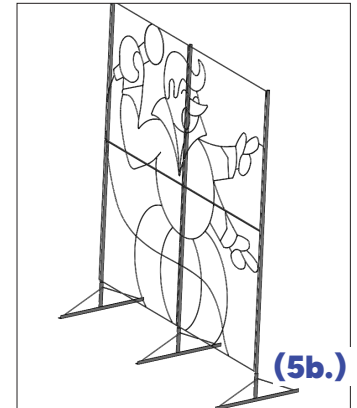
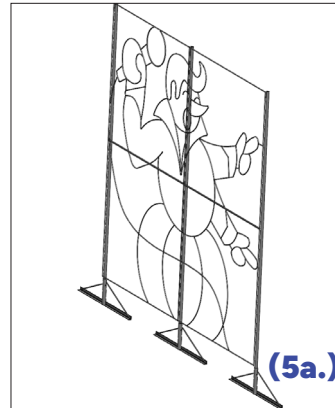
With personnel stationed as needed, use the guy cables to carefully lift the entire display to a vertical position. (5a.)

While using the guy cables to maintain the display's vertical position, carefully lift each pipe slightly and rotate the ground stand 90 degrees. Tighten the set bolts securely. (5b.)

Drive guy kit stakes into the ground at an angle so that the guy wires are positioned at a 30-45 degree angle. (5c.)

Loop the cables around the stakes, tension them, and secure with 1/8" wire rope clips. Tape off any excess cable.

Connect the power leads.



### **IMPORTANT!**

*If installing on soft ground or sand guying the decoration may require the use of longer stakes.*

*If you do not have longer stakes, please call us and we will provide for you. Make sure guy wire is appropriately tensioned to ensure maximum stability.*



# Assembly Instructions

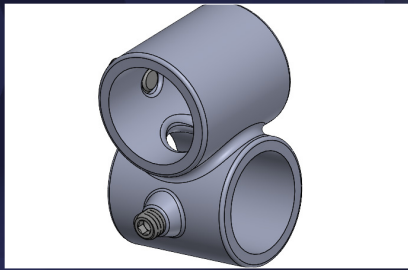
## Pipe Hung Ground Mounts

### 14' Tall and Above

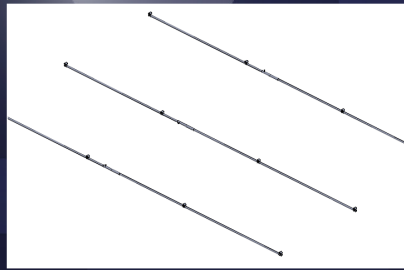
## Decorations 14' and Higher

For decorations over 14 feet in height, additional structural support is necessary to ensure stability during installation and throughout display. To achieve this, **horizontal supports** are added at key points within the decoration's framework. **Pipe fittings** are attached at each cross-section to create a more secure, reinforced structure, making it easier and safer to lift and position large decorations.

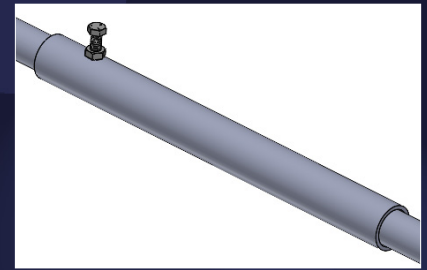
### ADDITIONAL HARDWARE



Structural Crossover  
Pipe Fitting



Pipes for Horizontal Use



Pipe Coupler For  
Joining 1" Pipe

## Step One

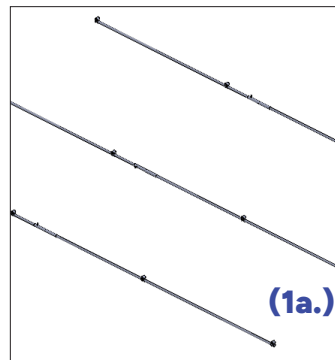
### Layout Pipe Structure First

Begin by laying out all horizontal pipes on the ground in the location where the decoration will be assembled. Arrange the pipes according to the decoration's layout. (1a.)

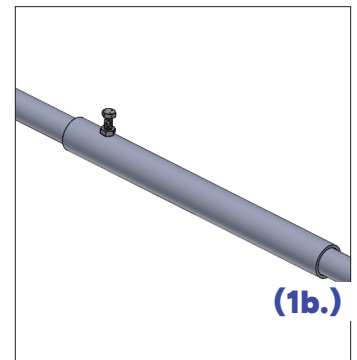
### If a coupler is needed:

Some vertical and/or horizontal pipes may be split into sections for easier shipping and storage. These sections will come with a coupler to connect them, creating the full-length pipe needed to support the decoration's full height or width. Be sure to tighten the set screw on each coupler to securely lock the pieces together. (1b.)

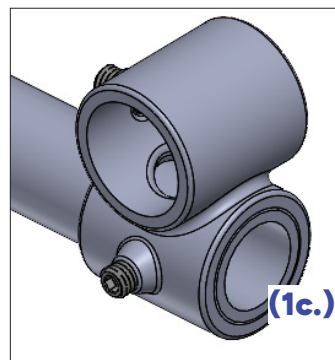
Next attach all pipe fittings to the horizontal pieces at each point where the horizontal and vertical pipes will intersect. (1c.) Carefully slide each vertical pipe up through the fitting at each intersection point. Leave the set screws loose for now, as adjustments may be needed once all pieces are in position. (1d.)



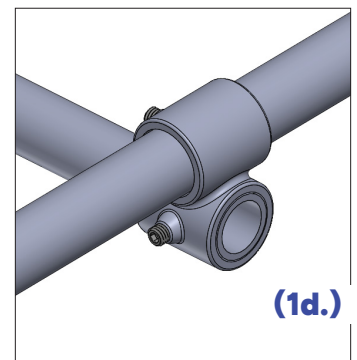
(1a.)



(1b.)



(1c.)



(1d.)



# Assembly Instructions

## Pipe Hung Ground Mounts

### 14' Tall and Above

## Step Two

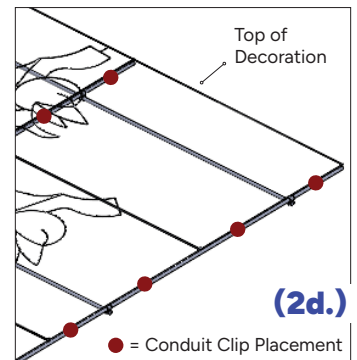
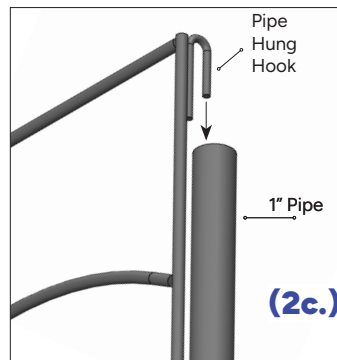
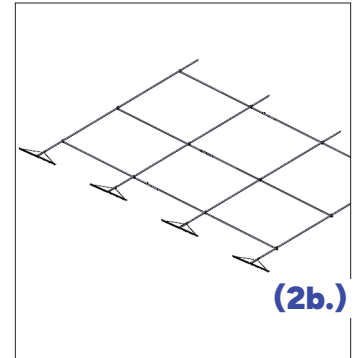
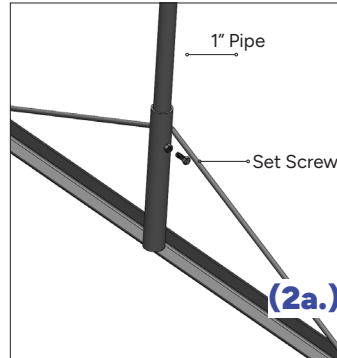
### Assemble Pipes to Stands & Attach Top Panels

Position the **Heavy Duty Pipe Stands** (2a.) at the base of the display. Align with the layout of the decoration to ensure proper spacing of panels.

While still working flat on the ground, insert the bottom of the pipes into the hole at the top of the stands. Do not tighten set bolts. (2b.)

Lay top-tier frame panels on pipes, inserting pipe-hung hooks into top of pipes. (2c.)

Secure each side of these frame panels to the pipes using the supplied **conduit clips**. (2d.)



## Step Three

### Build Out the Rest of The Decoration

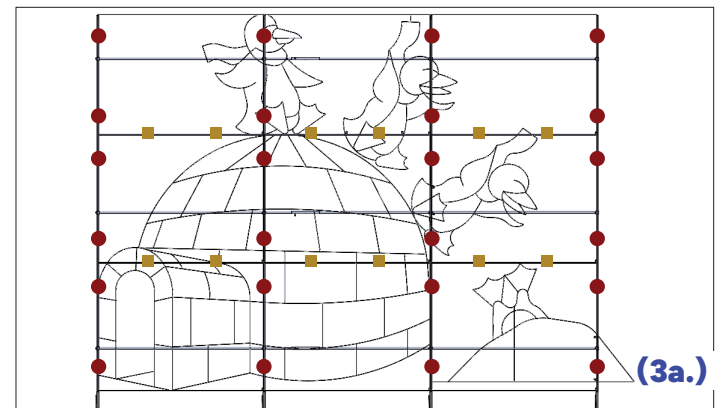
Attach each panel to the one above it vertically using two supplied **3/8" wire rope clips**.

Secure the sides of each frame panel to the pipes using the supplied **conduit clips**.

Position the next tier of frame panels along the pipes, aligning them with the preceding tier.

Repeat the process by attaching each new panel to the one above it with **3/8" wire rope clips** and securing the sides of each panel to the pipes with **conduit clips**. Continue this sequence for each subsequent tier until all panels are connected and securely attached to the pipes. (3a.)

**Please see key for clip placement:**



\*Note: Stands are horizontal because item is shown laying flat on ground.



# Assembly Instructions

## Pipe Hung Ground Mounts

### 14' Tall and Above

## Step Four

### Tighten Set Screws Before Lifting

Before lifting the decoration to an upright position, ensure all set screws are securely tightened. Check each connection to confirm the structure is stable and all fittings are firmly locked in place.

## Step Five

### Lift Decoration and Guy Kit to Secure

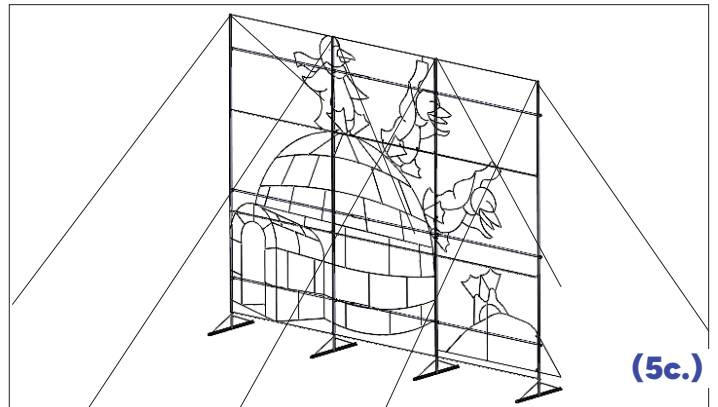
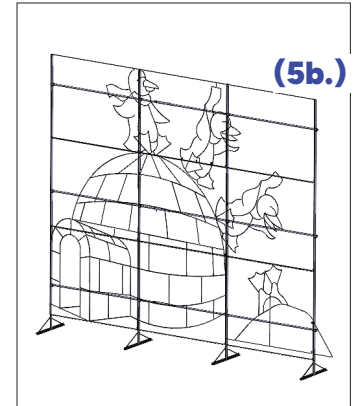
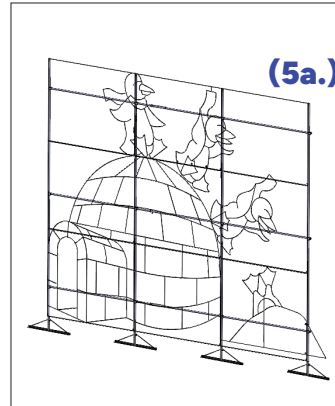
Thread a provided guy cables through the top of the frame for each pipe and secure it with a 1/8" wire rope clip, leaving tails of equal length.

With personnel stationed as needed, use the guy cables to carefully lift the entire display to a vertical position. (5a.)

While using the guy cables to maintain the display's vertical position, carefully lift each pipe slightly and rotate the ground stand 90 degrees. Tighten the set bolts securely. (5b.)

Drive guy kit stakes into the ground at an angle so that the guy wires are positioned at a 30-45 degree angle. (5c.) Loop the cables around the stakes, tension them, and secure with 1/8" wire rope clips. Tape off any excess cable.

Connect the power leads.



***If you have reviewed the instructions and still need assistance, please don't hesitate to reach out to your Design Consultant. We're here to help and are glad to support you with any questions or concerns.***

***Thank you for choosing us to bring holiday joy and light to your space. For more information about our products, please contact your Design Consultant or visit our website to explore additional decorations and discover what's new this season. We're grateful for the opportunity to be part of your holiday celebrations***

***- The Holiday Outdoor Decor Family***

