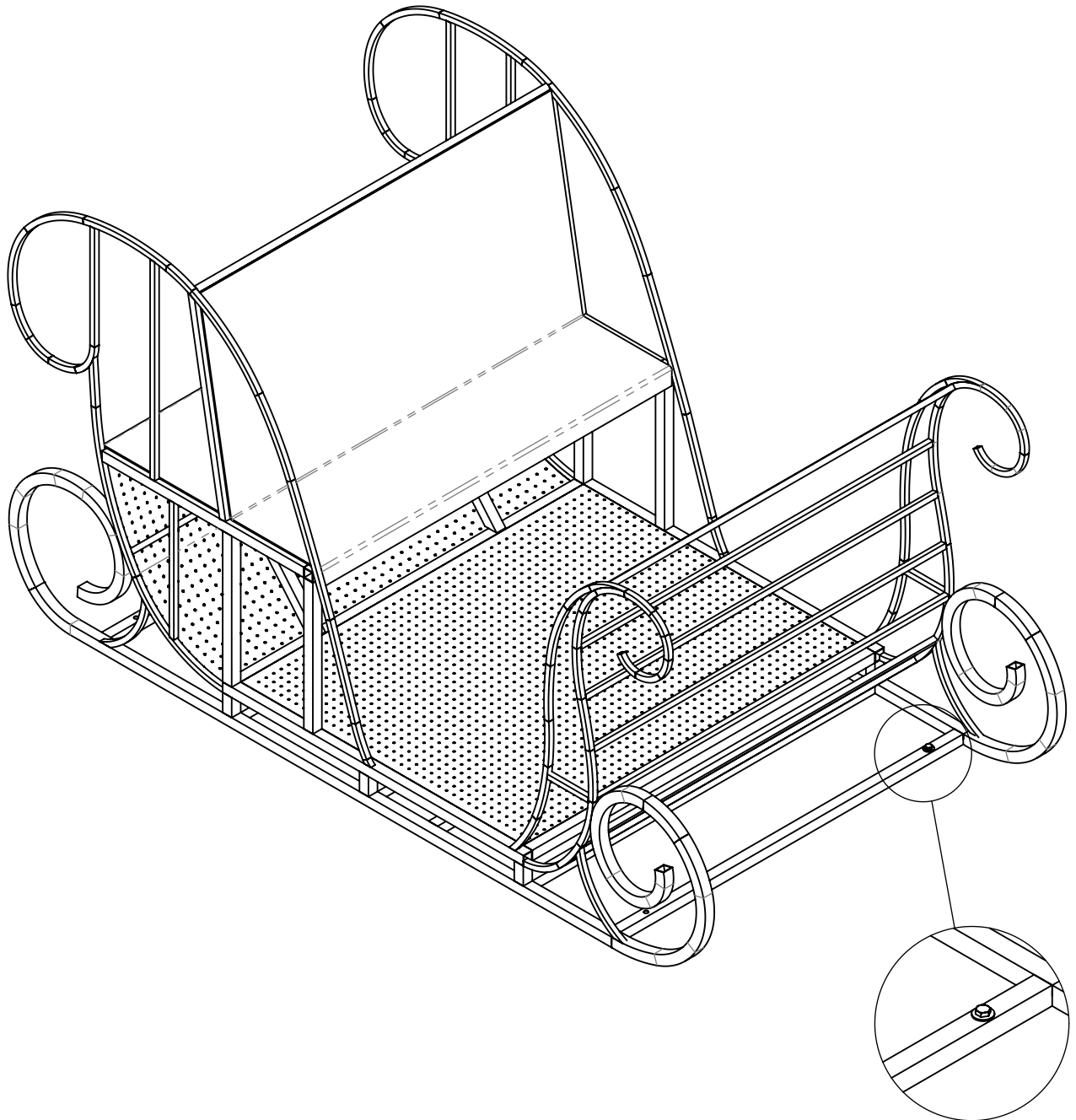



Place the decor on the floor. It is possible to bolt it directly on the ground but it is not necessary to add ballast*.



* Weight for a 3-lb wind area
The ballasting can vary according to the region.

	Wizz			
	PO-4-POWGS	Mounting instruction		
	M. Boucaud	12/04/2022	1:15	1/1