

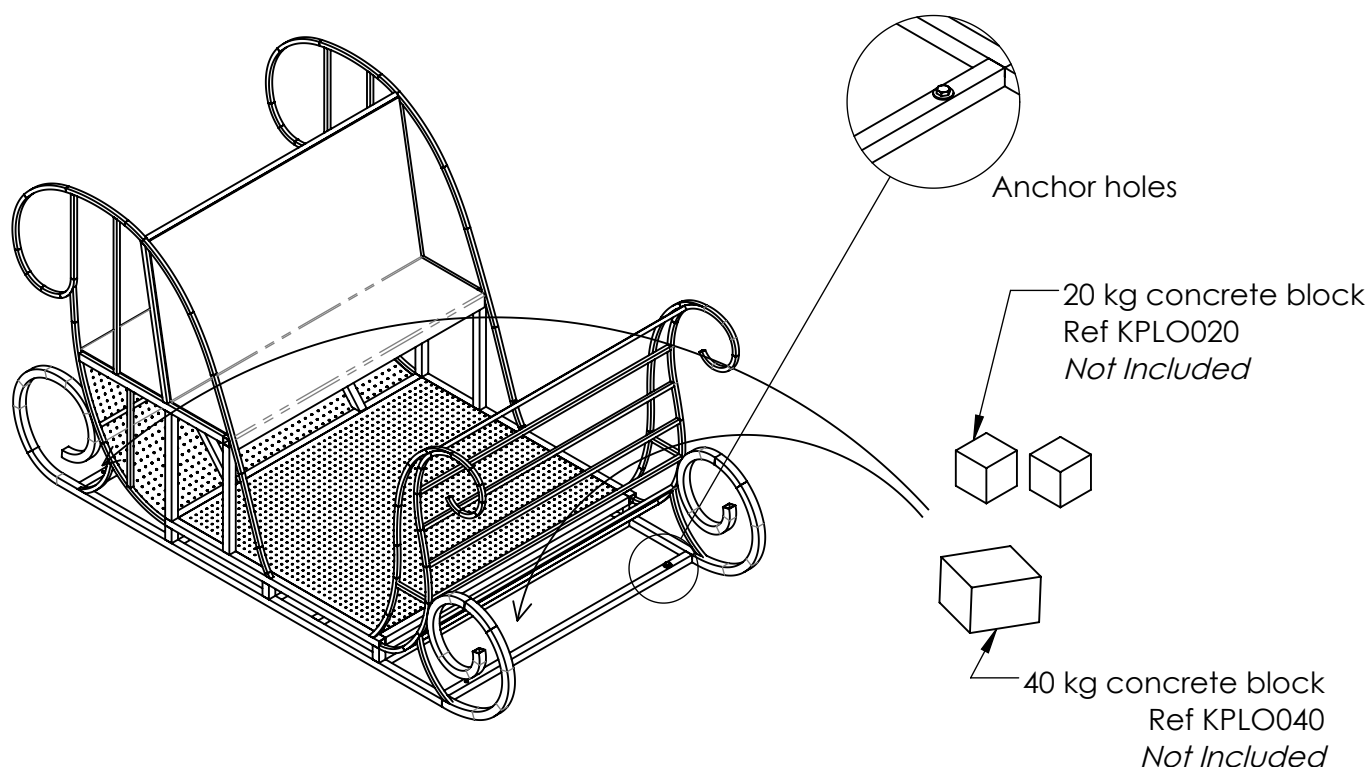
# DS-4-POFWS

## INSTALLATION / BALLASTING :

Place the sled at its desired location.

Fix the sled to the ground using the 4 anchor holes located on the crossbars under the sled.

If no anchor is allowed, place the required weight\* above the crossbars, as concrete blocks or ballast bags as shown below.



### \*Required Ballast :

The ballast weight depends on the geographic location and roughness of the terrain :


Zone 3 Roughness IIIb : **25 kg** (1 concrete block weighing 40 kg)

Zone 3 Roughness 0 : **75 kg** (4 concrete blocks weighing 20 kg)

**WARNING :** Weight specified only for the given geographic wind zone and terrain roughness.

High exposed zone may require higher ballast weight.

Consult Blachere-Illumination if any doubts on geographic wind zone and terrain roughness.

	Wizz Series			
	Mounting Instruction		DS-4-POFWS	
	C.OCCELLI	12/12/2023	1:8	1/1