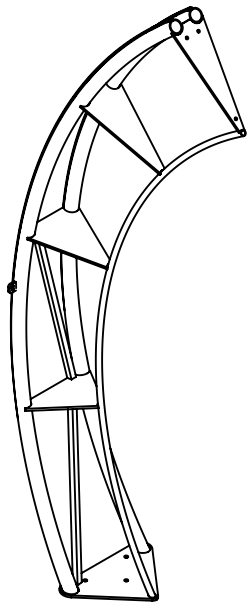
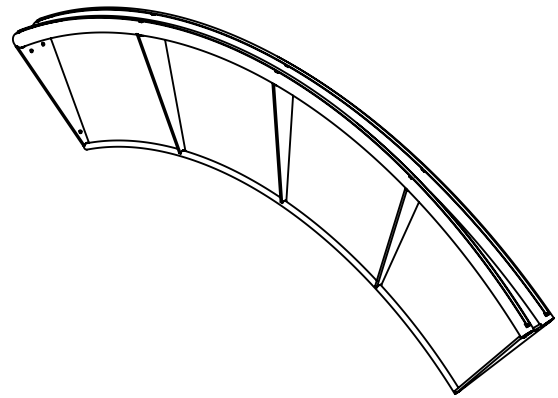
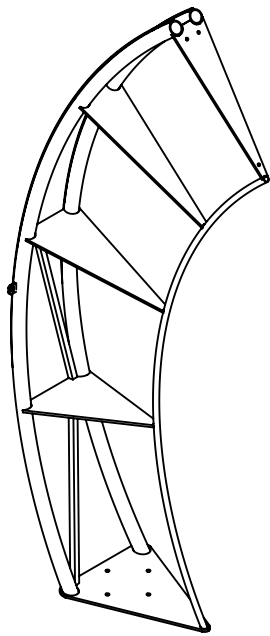
	Bi-season arch		
	DS-16-RPA	Mounting instruction	
	M.Boucaud	13/04/2022	1:30



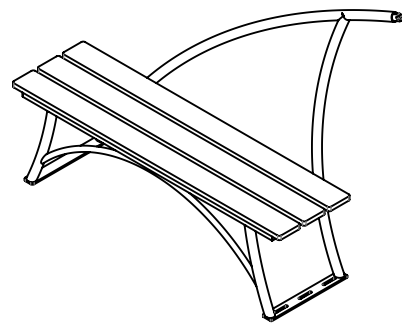
1 x Arch A



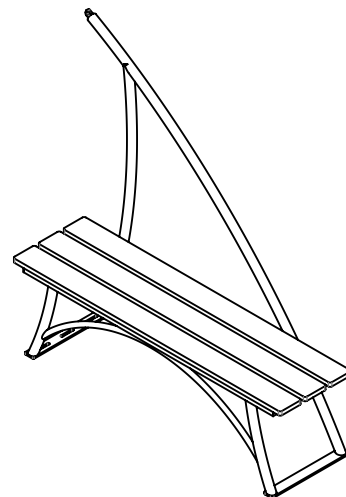
1 x Arch B



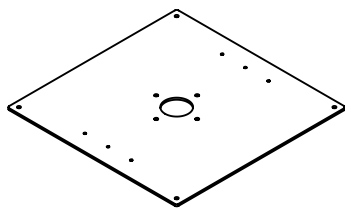
1 x Arch C



1 x Left bench




2 x Right bench

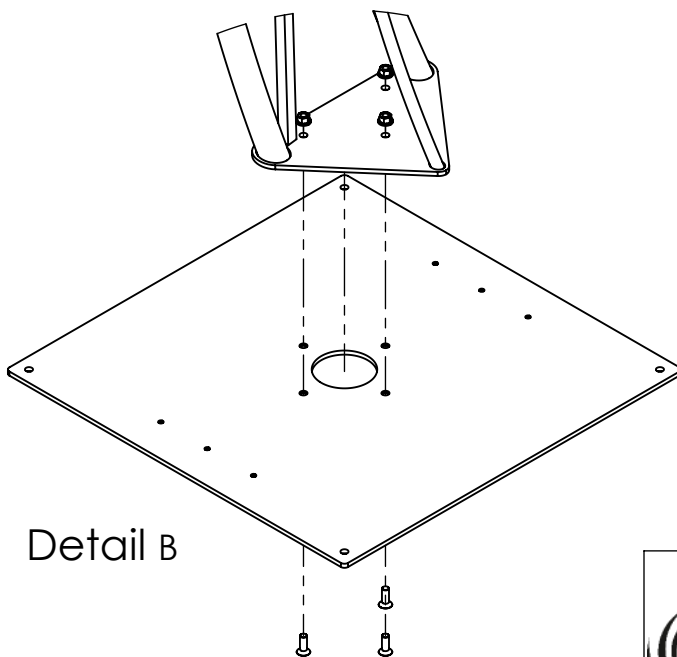
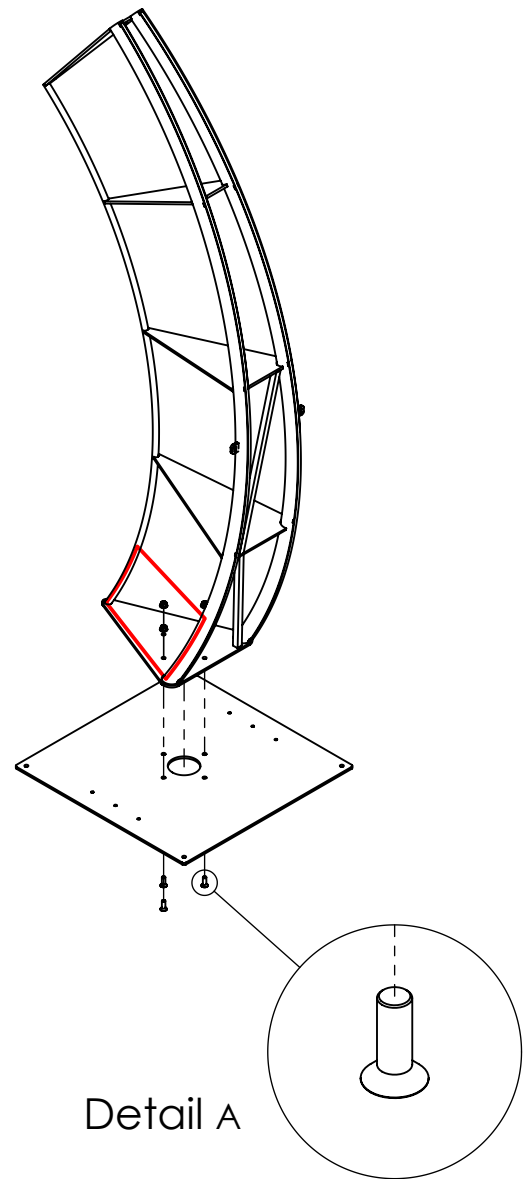
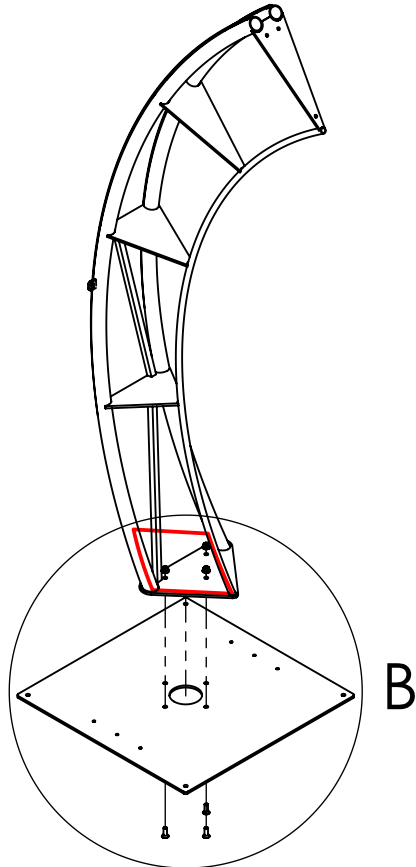



2 x Base plate

+ bolting

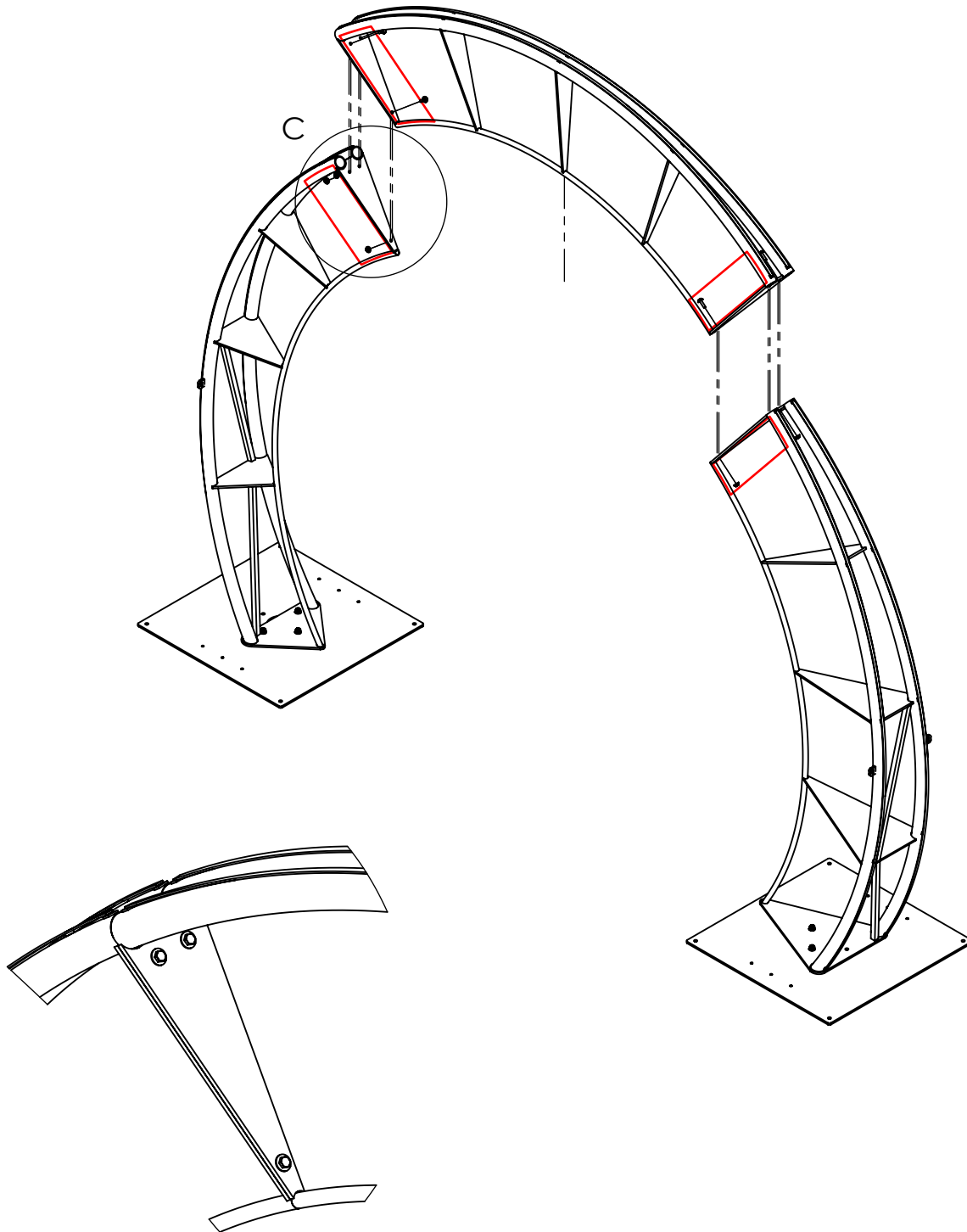
	Bi-season arch		
	DS-16-RPA	Mounting instruction	
	M.Boucaud	13/04/2022	1:30

Step 1 : Assemble the two side (A and C) of the arch on their base plate.  
 Bolt them with 3 x M14 countersunk head screws on each side. The head is above the plate (detail A).  
 A trapdoor can be found on each side (in red on the drawing bellow), it is indicated by plastic collar in bright color. Tighten the bolt by passing through the trapdoor.




	Bi-season arch		
	DS-16-RPA	Mounting instruction	
	M.Boucaud	13/04/2022	1:30

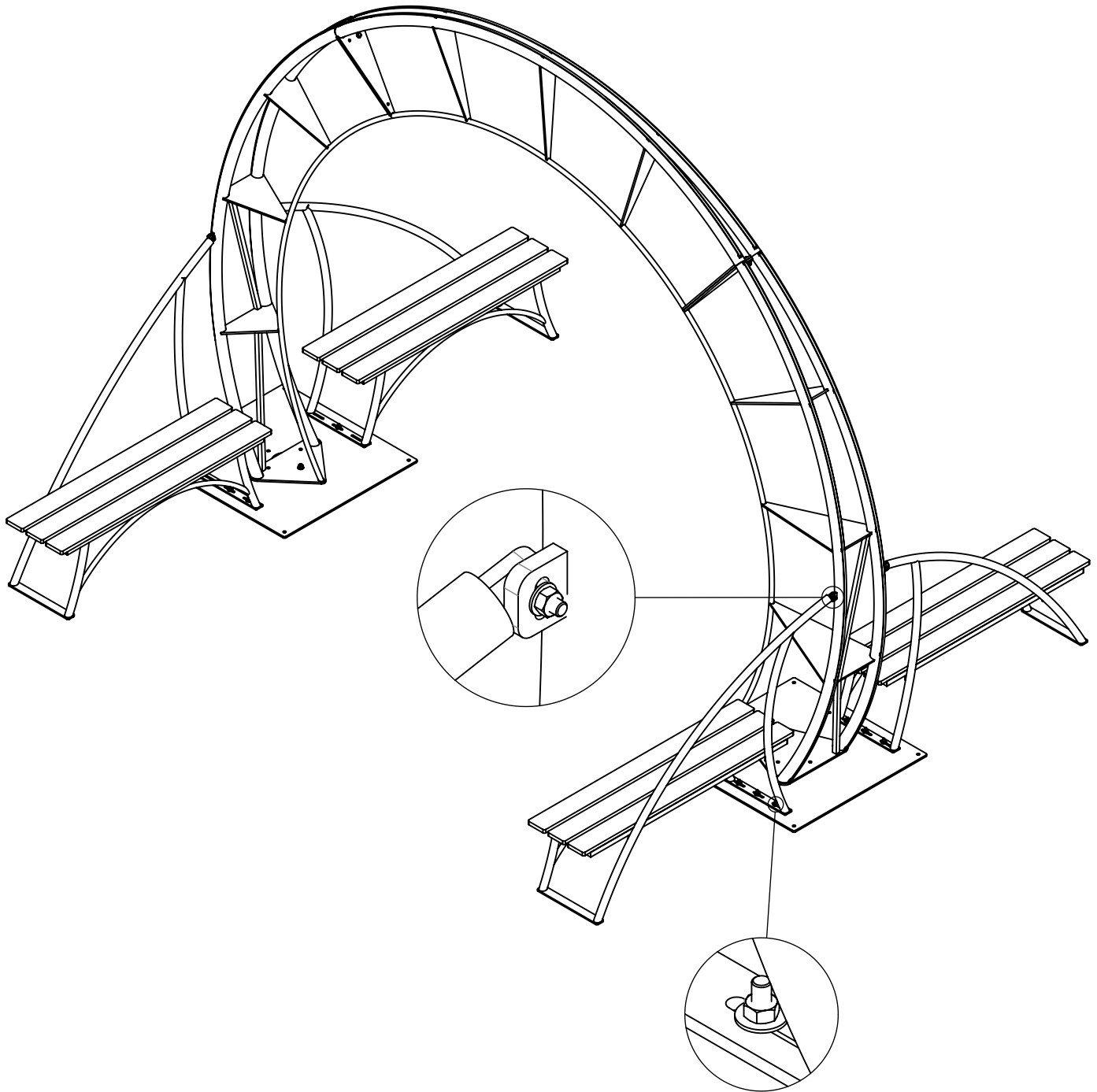
Step 2 : Assemble the center of the arch (B) on the two other parts.  
 Bolt the parts with 3 x M10 hexagonal head screws on each side (detail C)  
 A trapdoor can be found on each side (in red on the drawing below), it is indicated by plastic collar in bright color. Tighten the bolt by passing through the trapdoor.




Detail C

	Bi-season arch		
	DS-16-RPA	Mounting instruction	
	M.Boucaud	13/04/2022	1:30

Step 3 : Mount the benches on the arch. Bolt them to the floor plate and to the arch.  
 It is not necessary to ballast this decoration\*.



\* Weight for a 3-lb wind area  
 The ballasting can vary according to the region.

	Bi-season arch		
	DS-16-RPA	Mounting instruction	
	M.Boucaud	13/04/2022	1:30