



Height: 5m  
Diameter: 3,3m



DS-16-BT - Bjork Tree

Assembly principle

31/05/2017

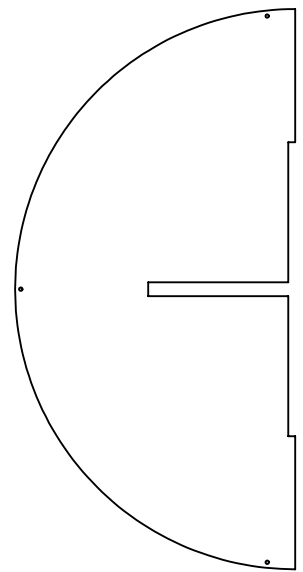
1/4



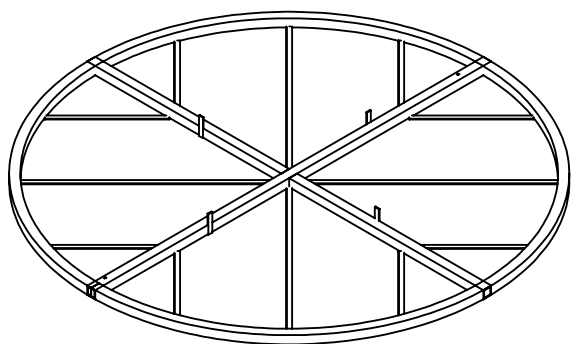
x1 mother skin  
indice n°1



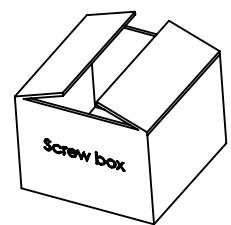
x3 son skins  
indice n°2, 3 et 4



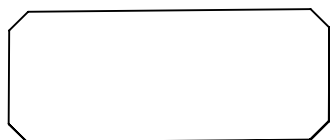
x2 half cladding  
metal sheet  
indice 1 et 2



x1 chassis

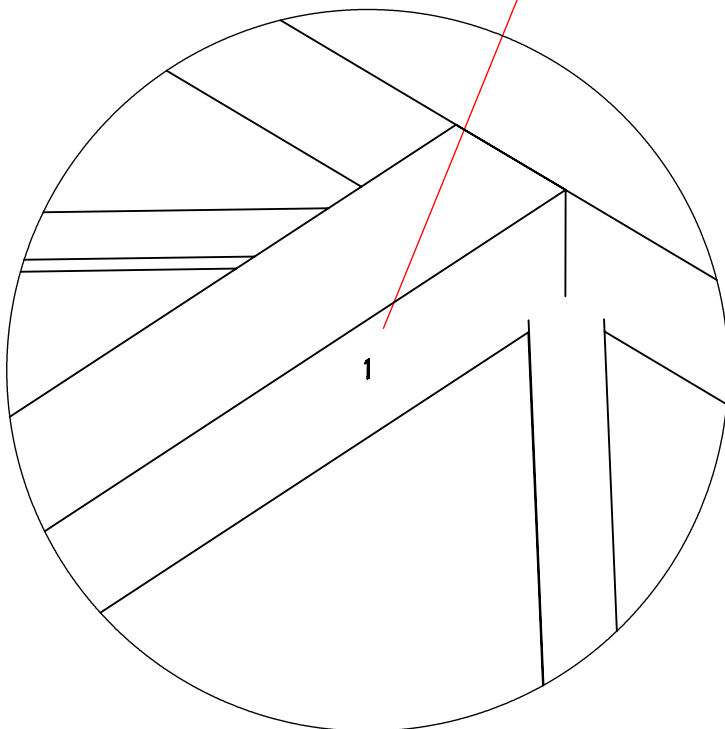
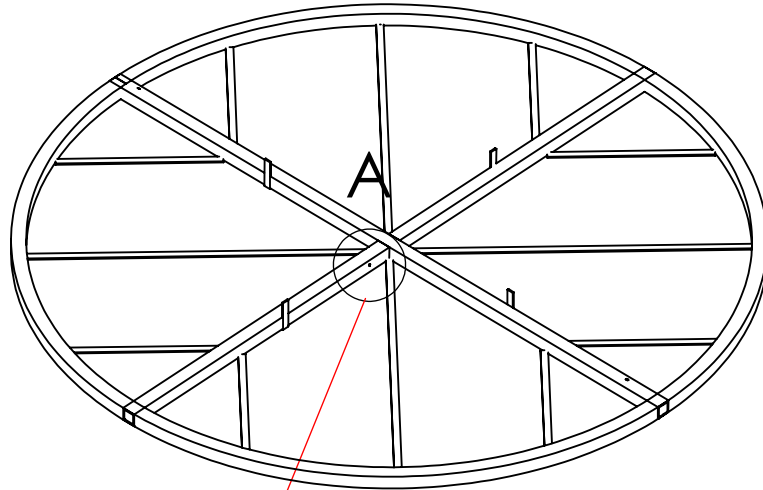


Screw box



x4 ballast plate

Step1: Position the chassis on the ground and position the mother skin at its location on the chassis. Secure with screws.



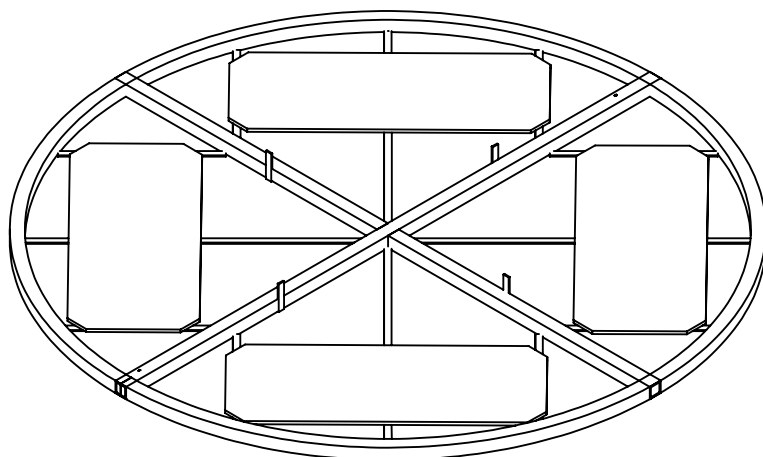
DS-16-BT - Bjork Tree

Assembly principle

31/05/2017

3/4

Step 2: Repeat this operation for the 3 other skins then position the ballast plate on the chassis



Step 3: To finish positioning and assembling the 2 half plates and fix them with countersunk screws

