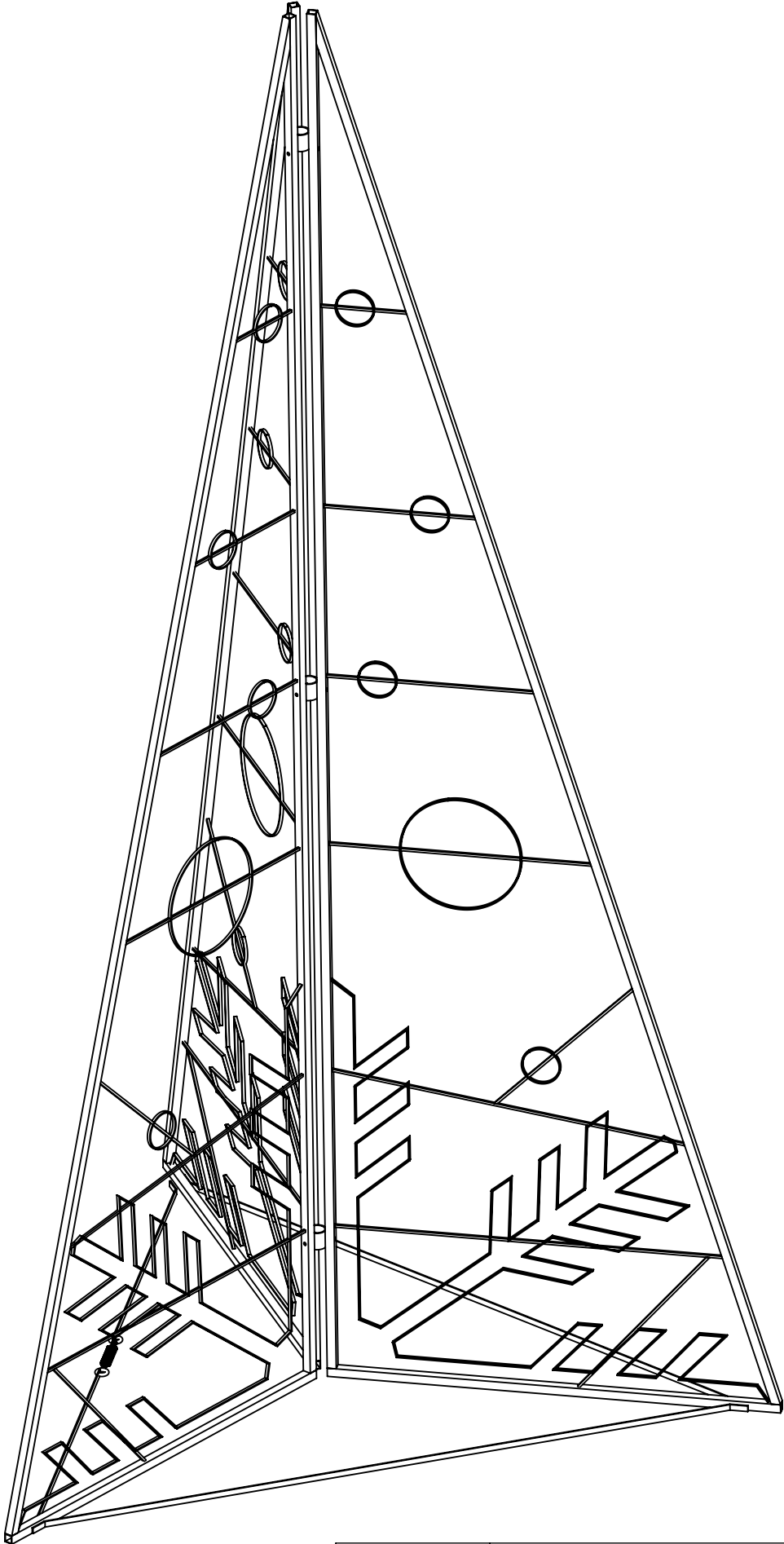
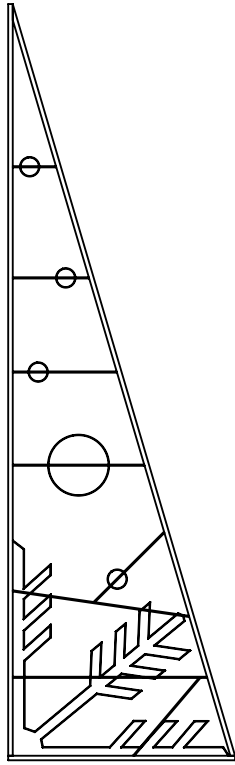


DS-16-AST

Atlas Tree



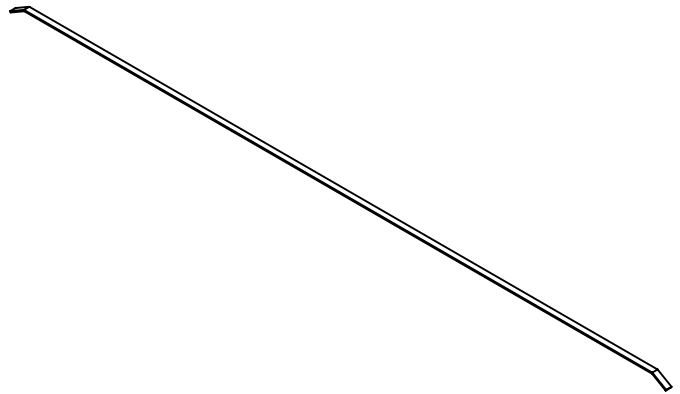
Atlas		
Mounting instructions		
VM	18/06/2021	1/3



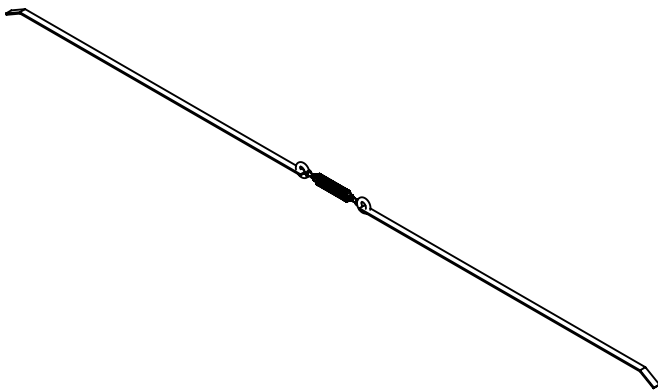
x3 Skins



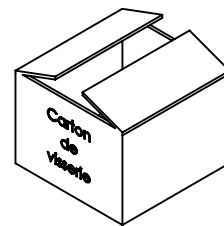
x3 Mounting Tube



x2 Rod



x1 Adjustment rod



Screws



Atlas

DS-16-AST

VM

18/06/2021

2/3

1/ Assemble the 3 mounting tubes on one skin with screws.

2/ Assemble the 2 other skins on the mounting tubes

3/ Assemble the 2 rods and then the adjustment rod. Adjust the tensioner.

