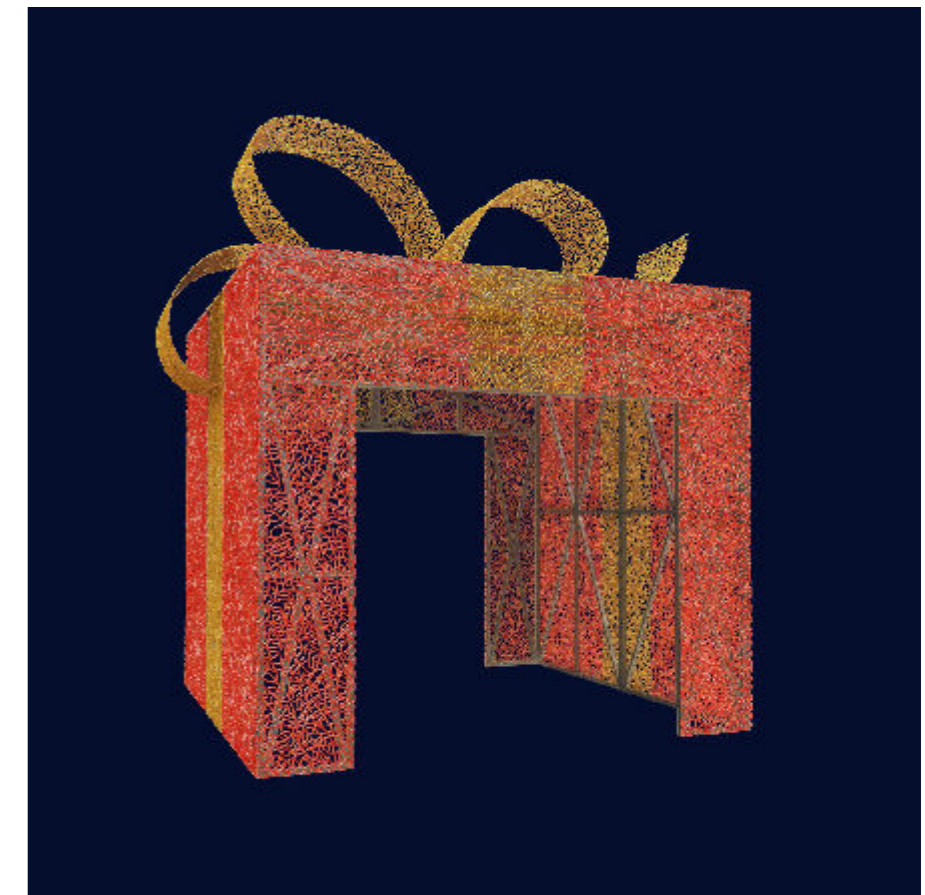
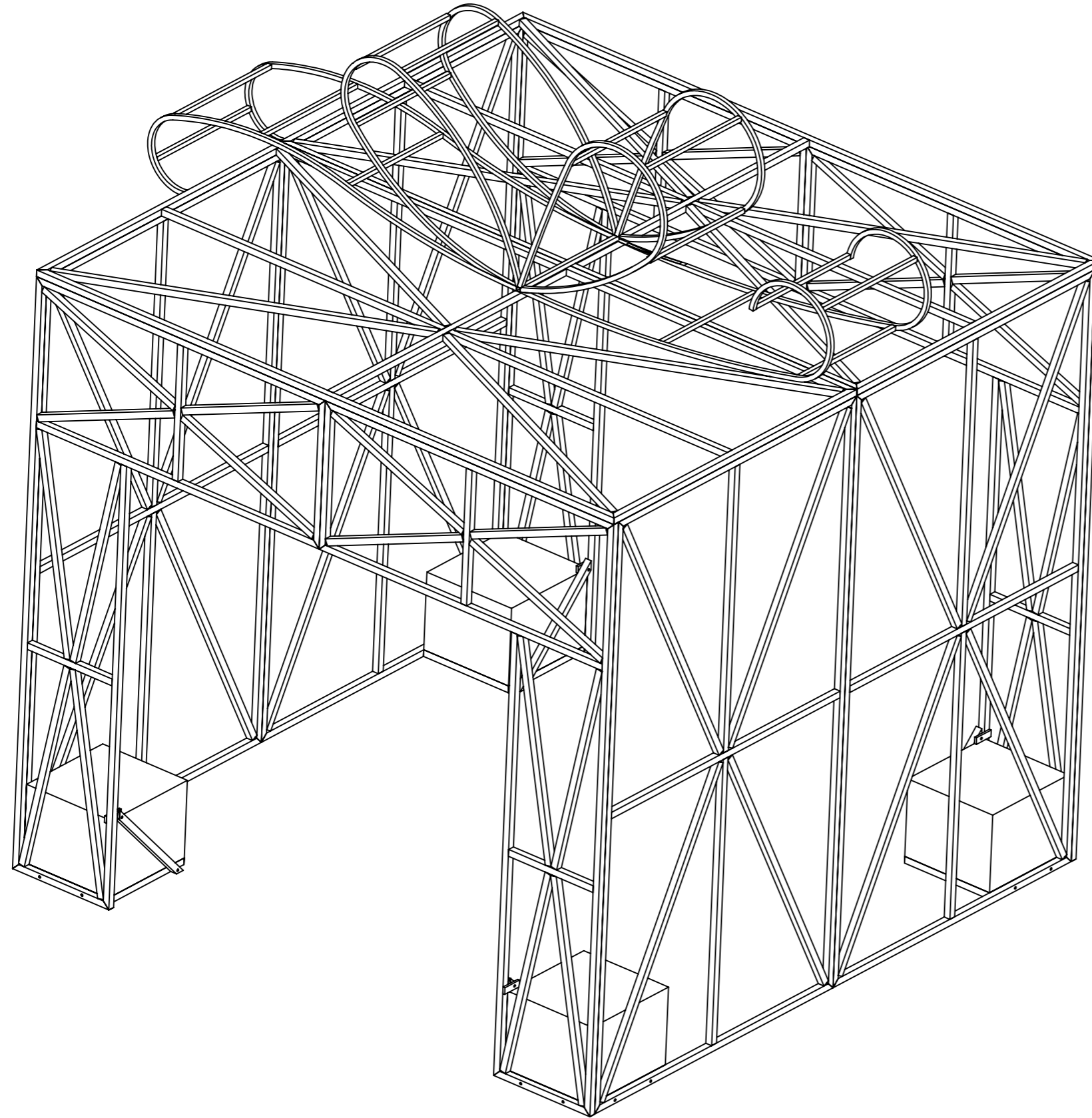

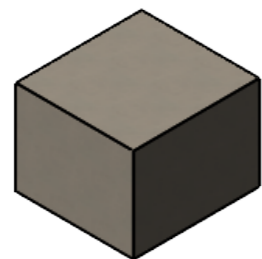
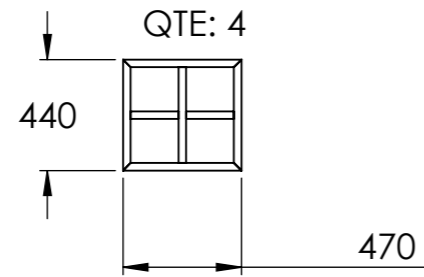
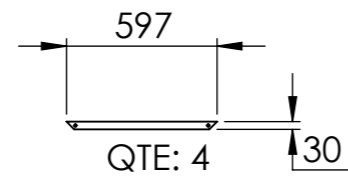
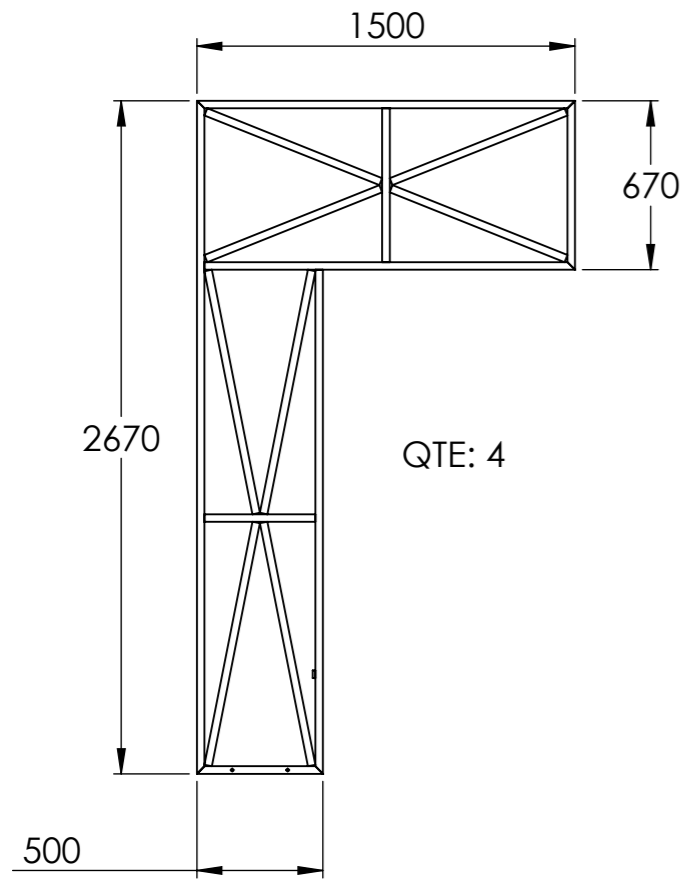


# DS-13-TNWT

## Titan Walk Thru

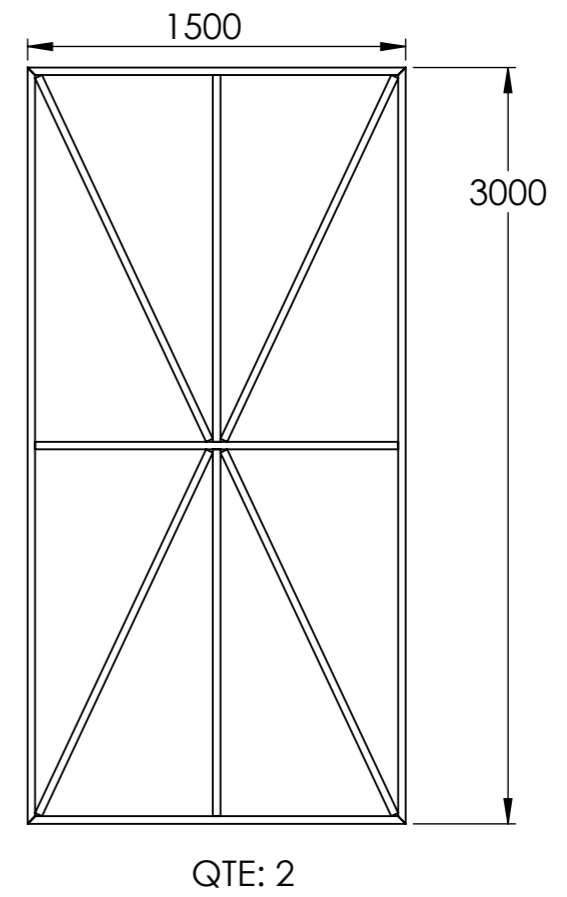
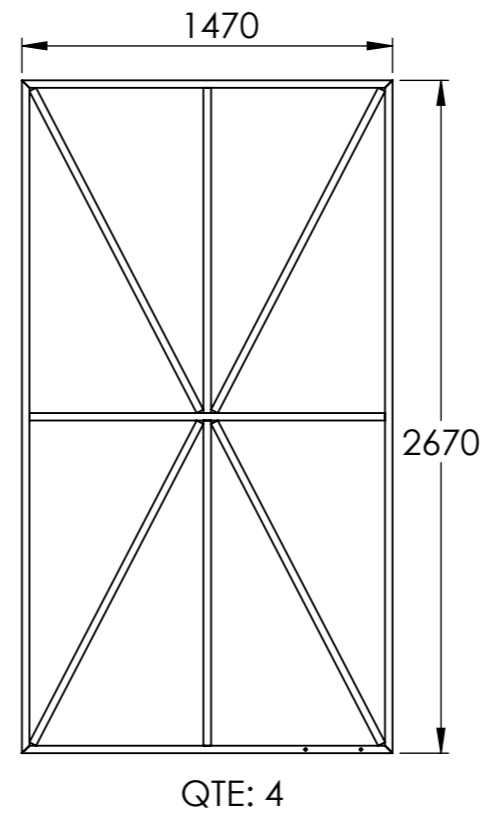



	DS-13-TNWT		
	Mounting instructions		
	EB	16/10/2020	1/7



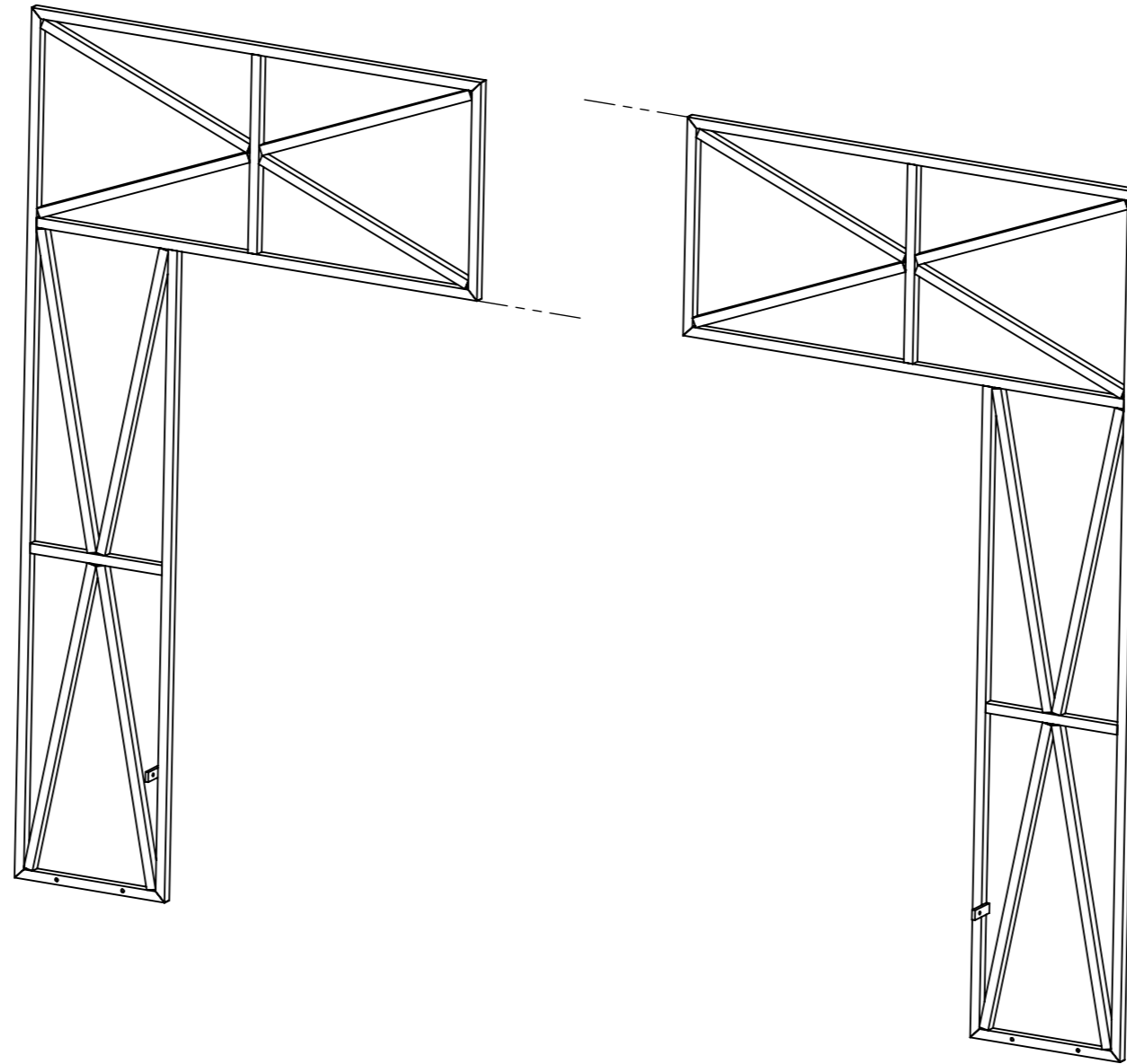
QTE: 4

+ SCREWS

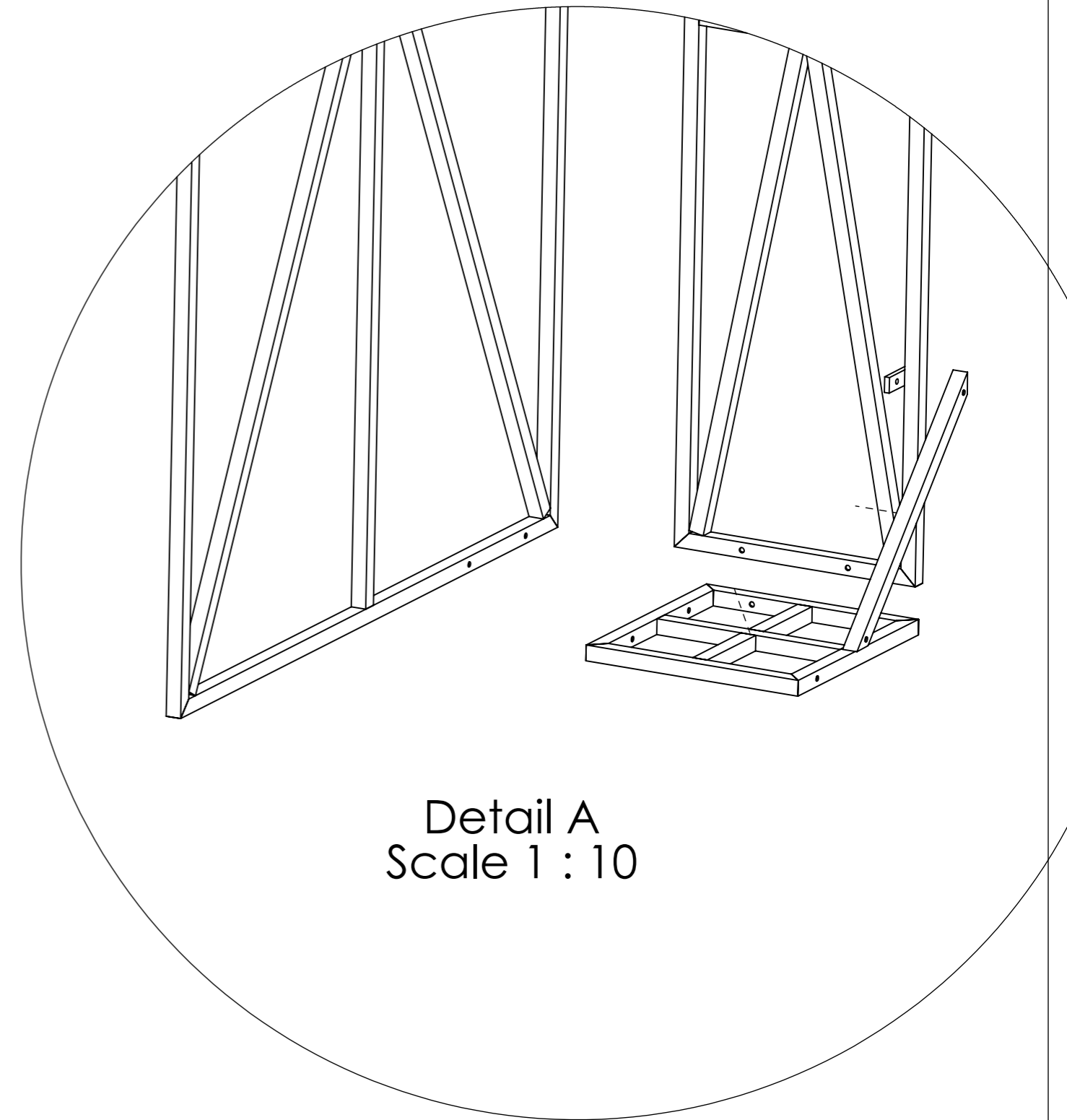
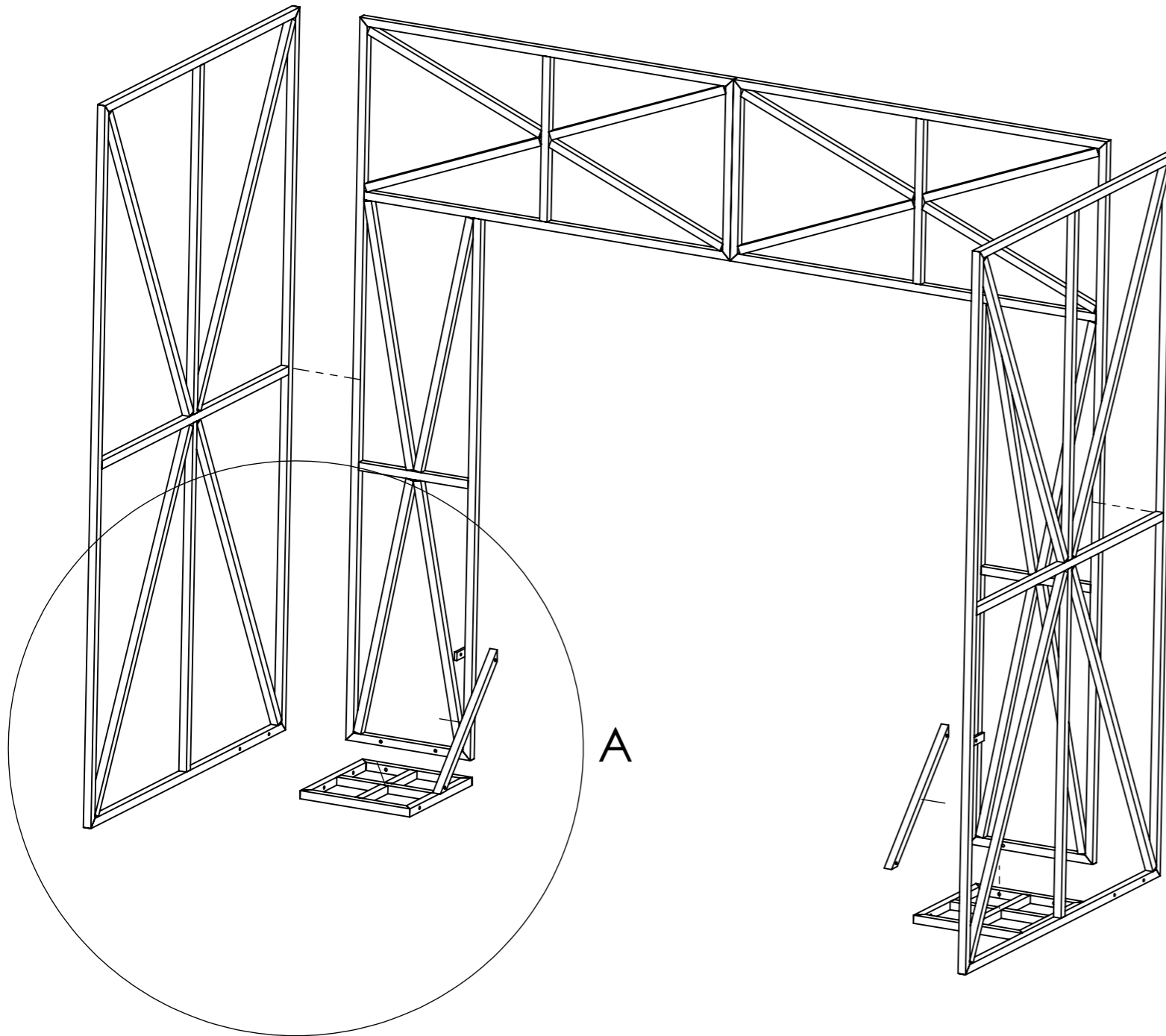


	DS-13-TNWT		
	Mounting instructions		
	EB	16/10/2020	2/7

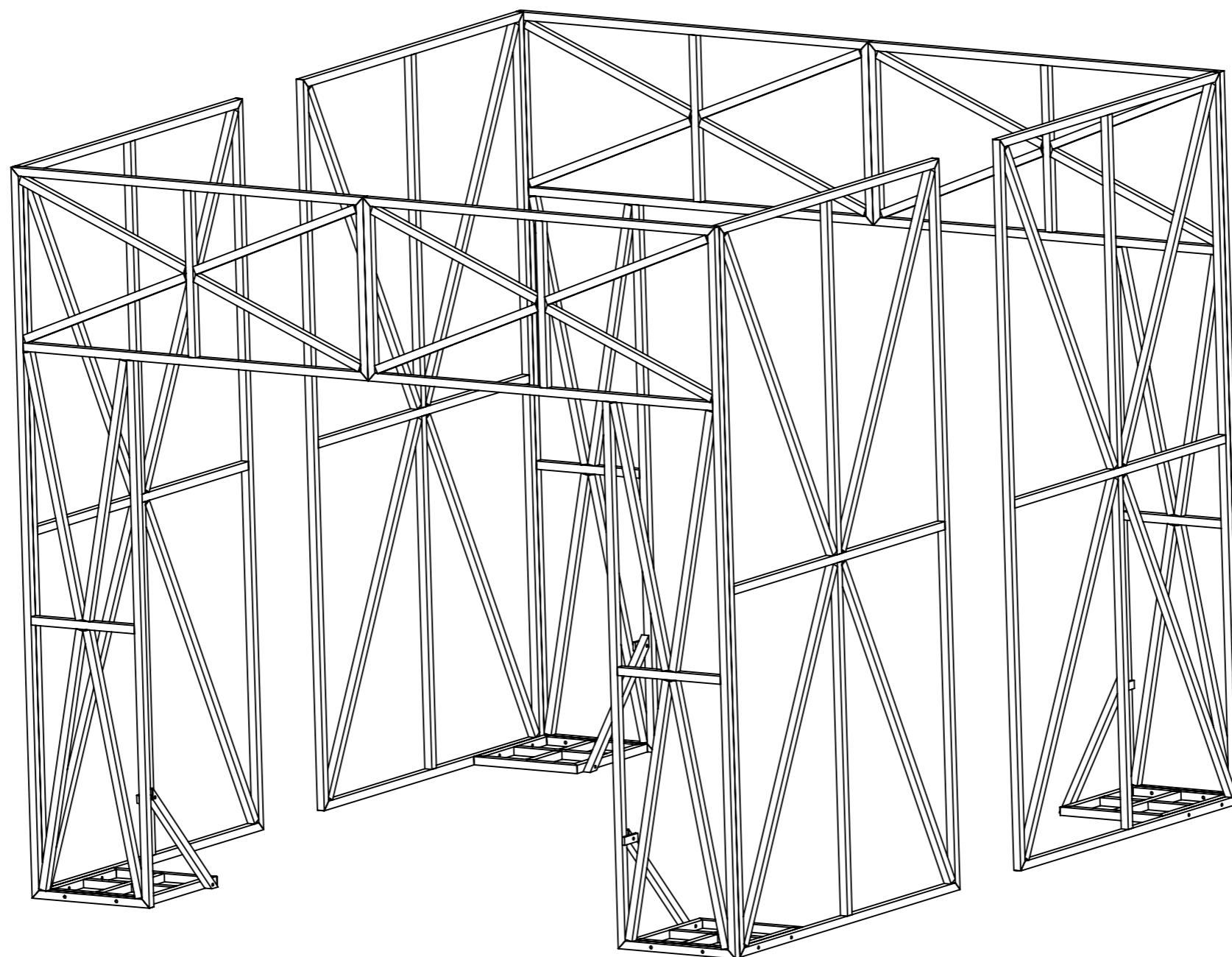
STEP 1 : ASSEMBLE ON THE FLOOR THE PANELS WITH DOOR OPENING



STEP 2 : ASSEMBLE THE SIDE PANELS TO THE FRONT PANELS WITH THE BALASTING BASE



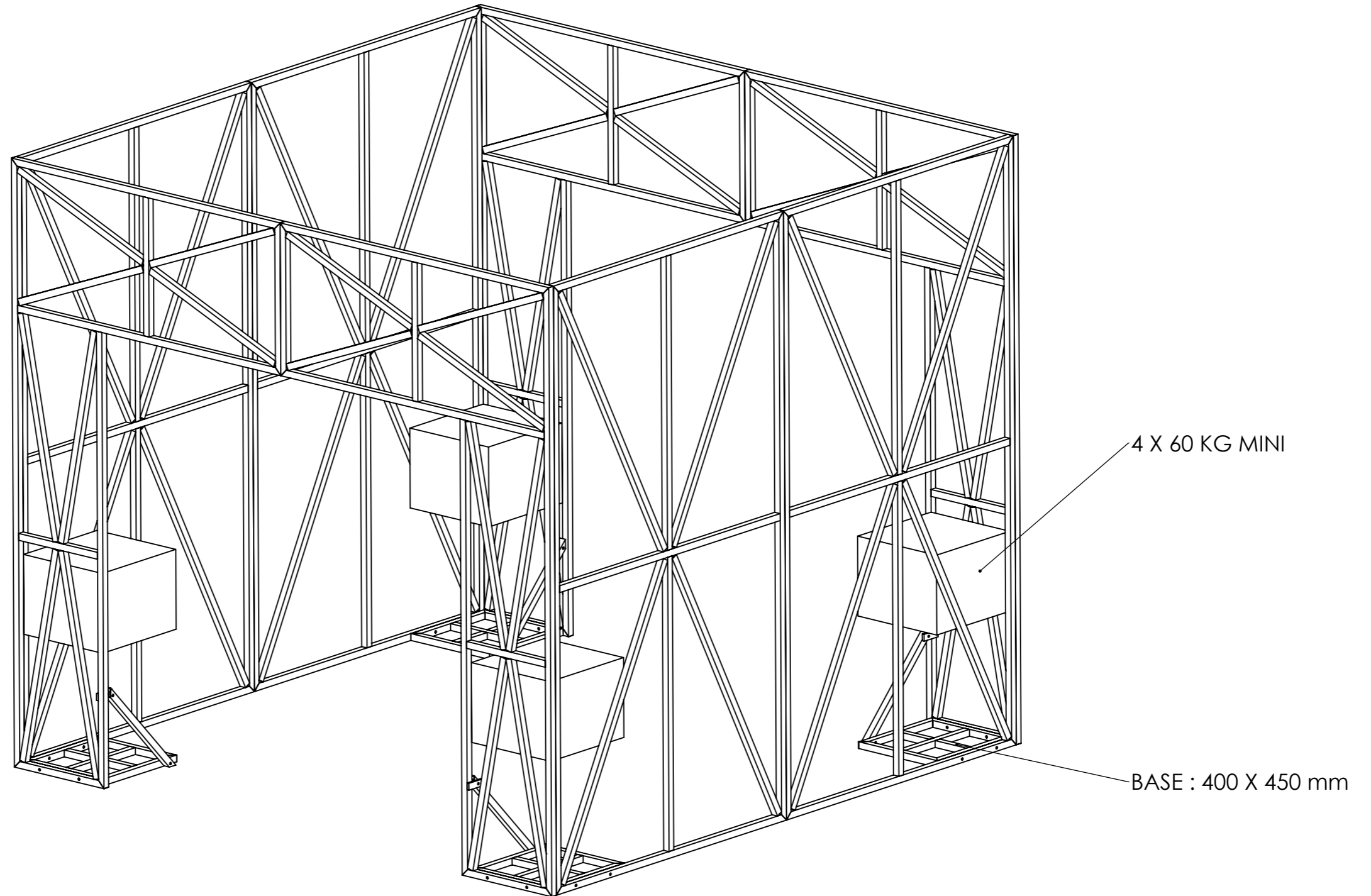
STEP 3 DO THE SAME WITH THE OTHER SIDE AND ASSEMBLE THE TWO HALVES TOGETHER






STEP 4 : PUT THE BALASTING ON THEIR BASE  
DIMENSIONS OF THE BASE 400 X 450 mm

THE BALASTING IS REQUIRED AND REMAIN THE RESPONSIBILITY OF THE CUSTOMER  
MINIMUM WEIGHT 4 X 60KG



	DS-13-TNWT		
	Mounting instructions		
	EB	16/10/2020	6/7

STPE 5: ASSEMBLE THE ROOF AND KNOT OF THE GIFT

