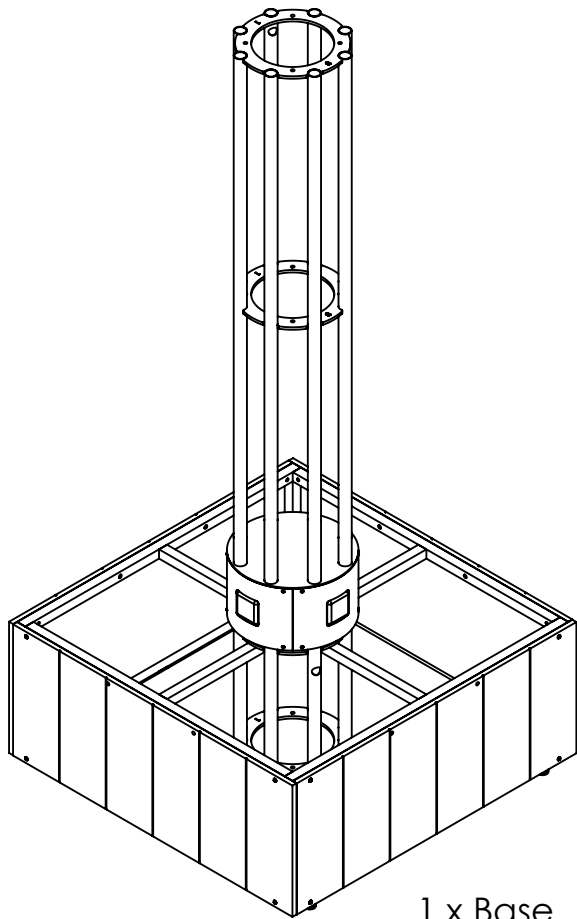
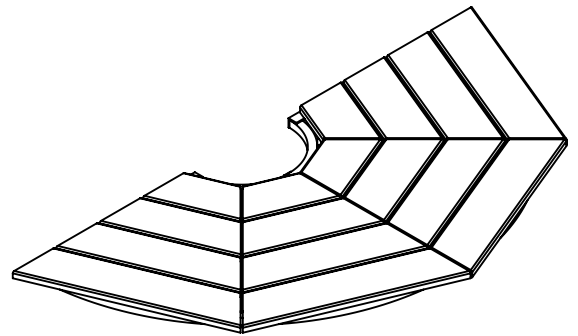
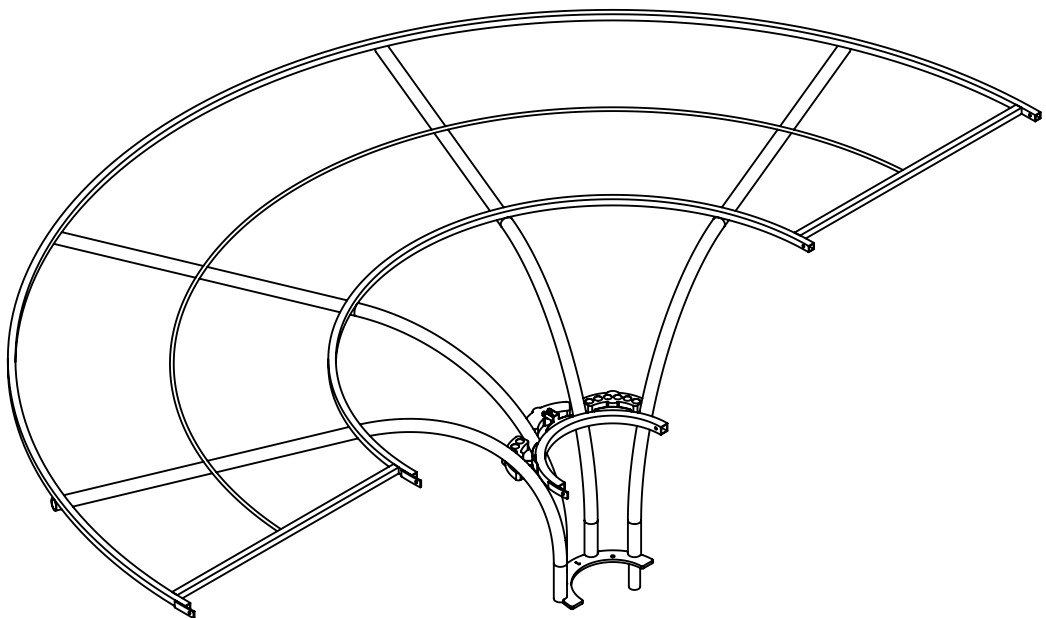
	Tree			
	DS-10-RPB	Mounting instruction		
	M.Boucaud	25/02/2022	1:25	1/10



1 x Base




2 x Seat

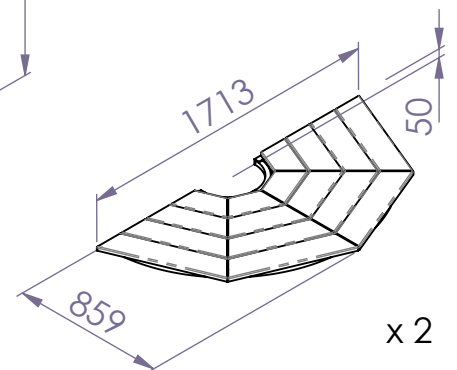
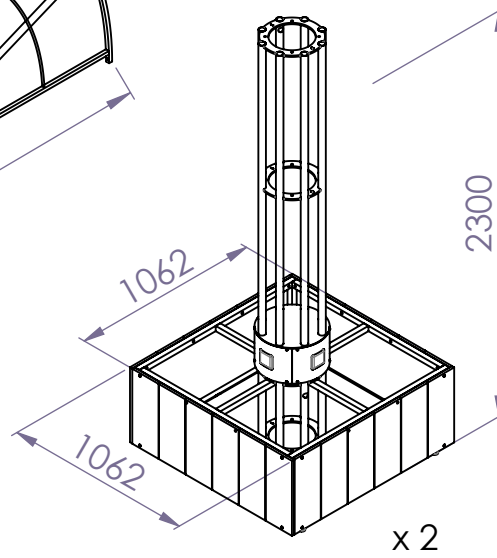
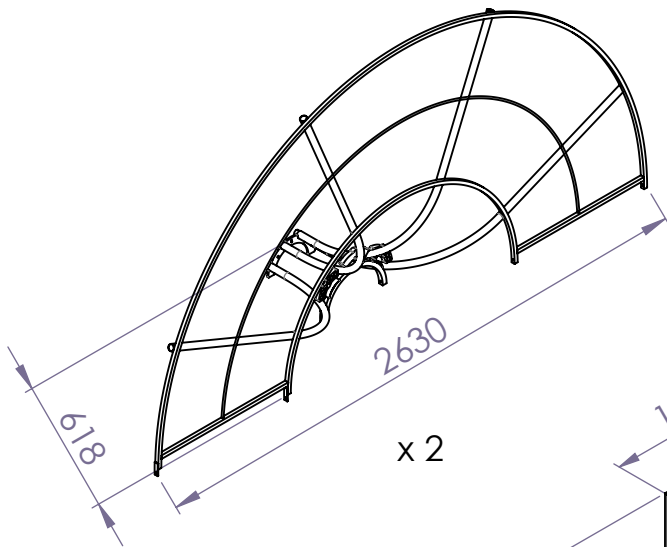
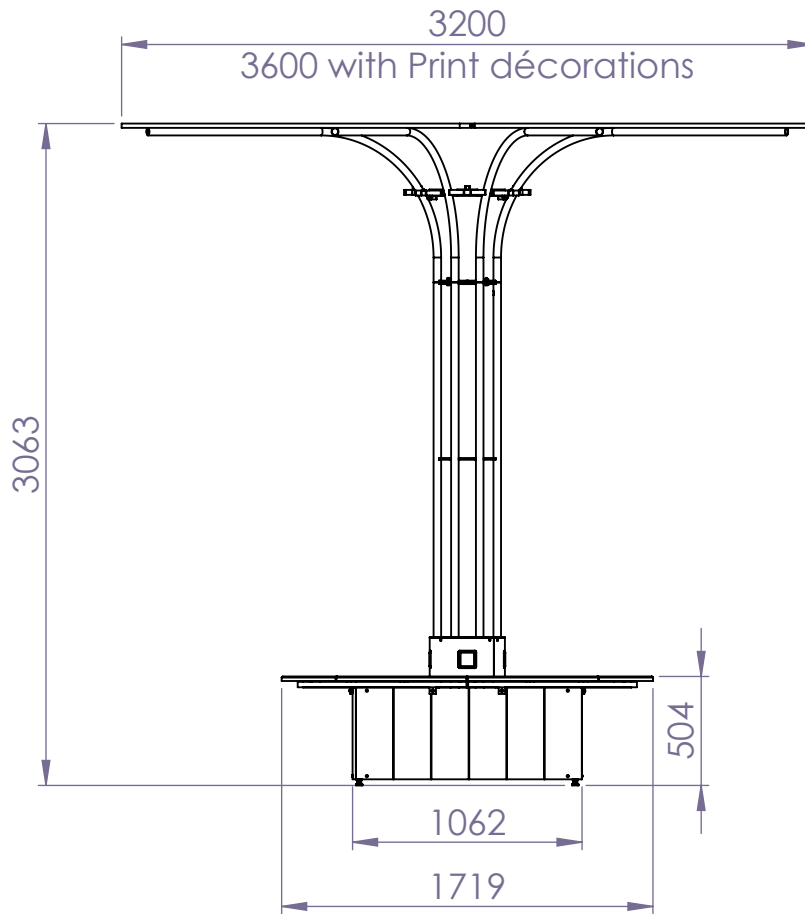



2 x Top



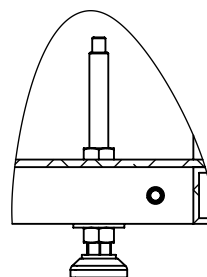
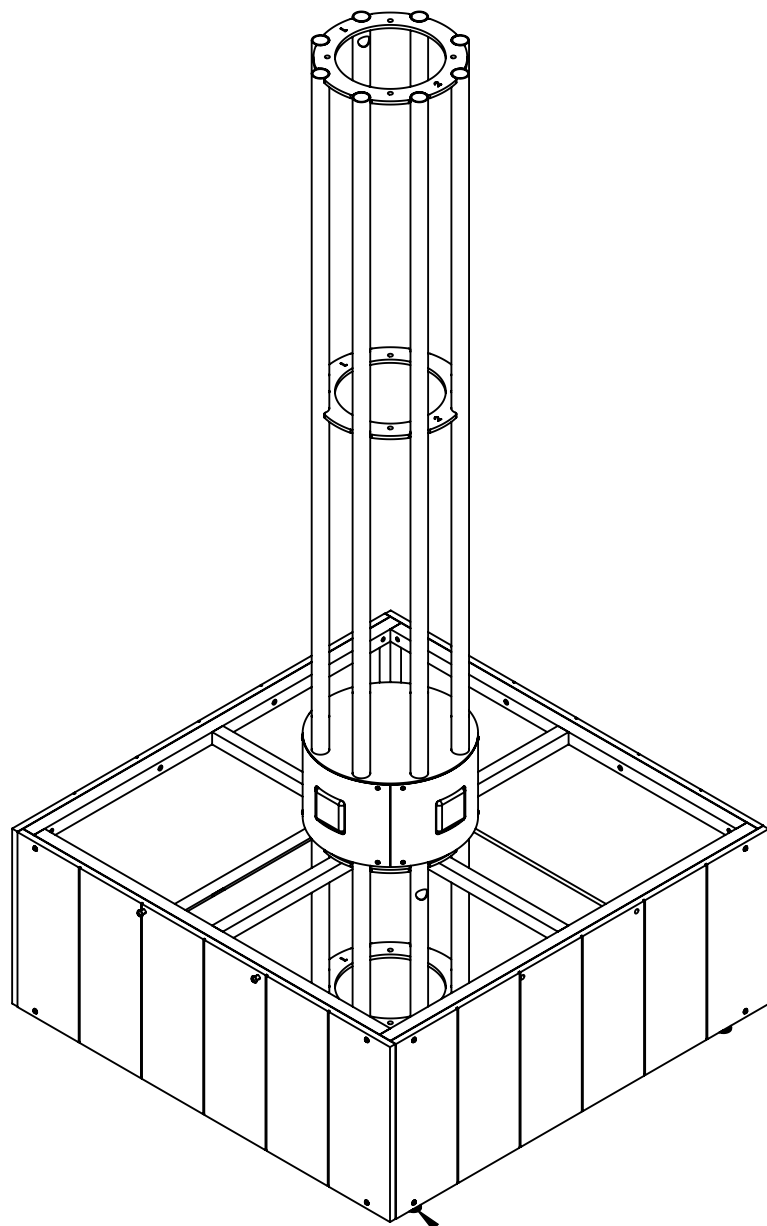
Bolting

	Tree			
	DS-10-RPB	Mounting instruction		
	M.Boucaud	25/02/2022	1:20	2/10




	Tree			
	DS-10-RPB	Mounting instruction		
	M.Boucaud	25/02/2022	1:35	3/10

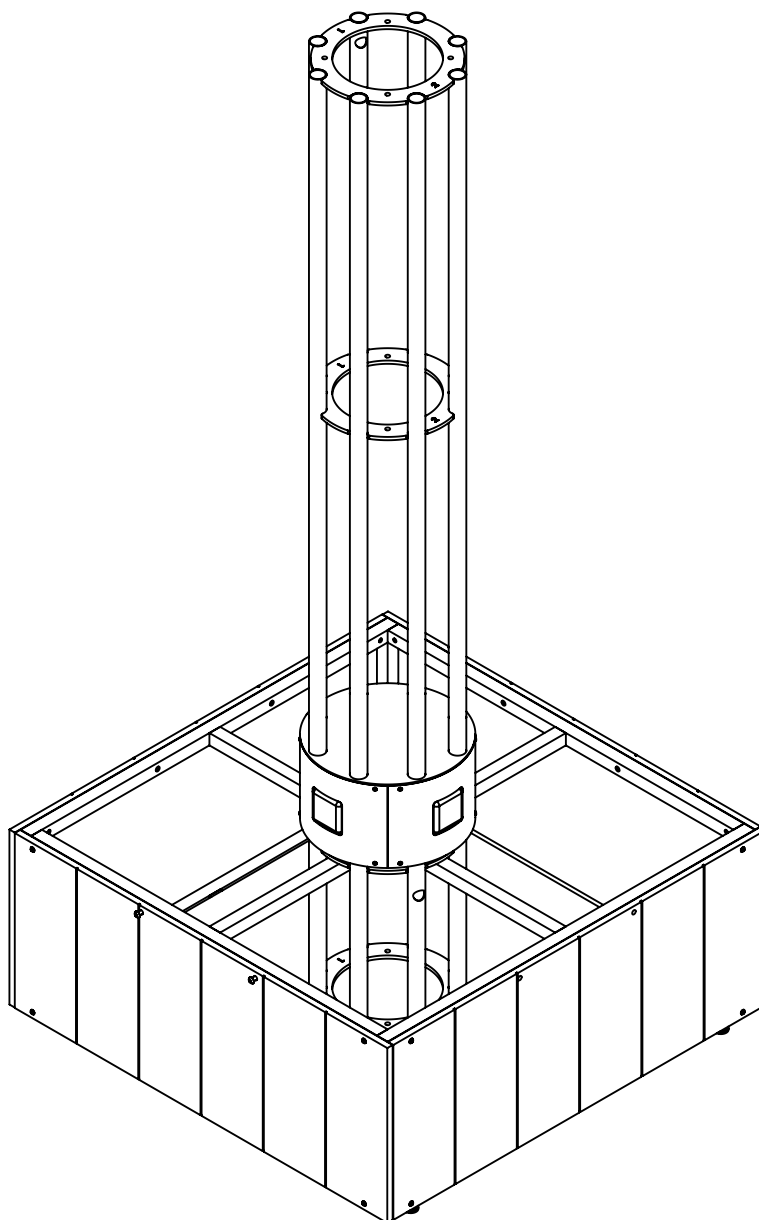
Step 1 : Place the base and adjust the level with the feet.




Adjustable foot

	Tree			
	DS-10-RPB	Mounting instruction		
	M.Boucaud	25/02/2022	1:15	4/10

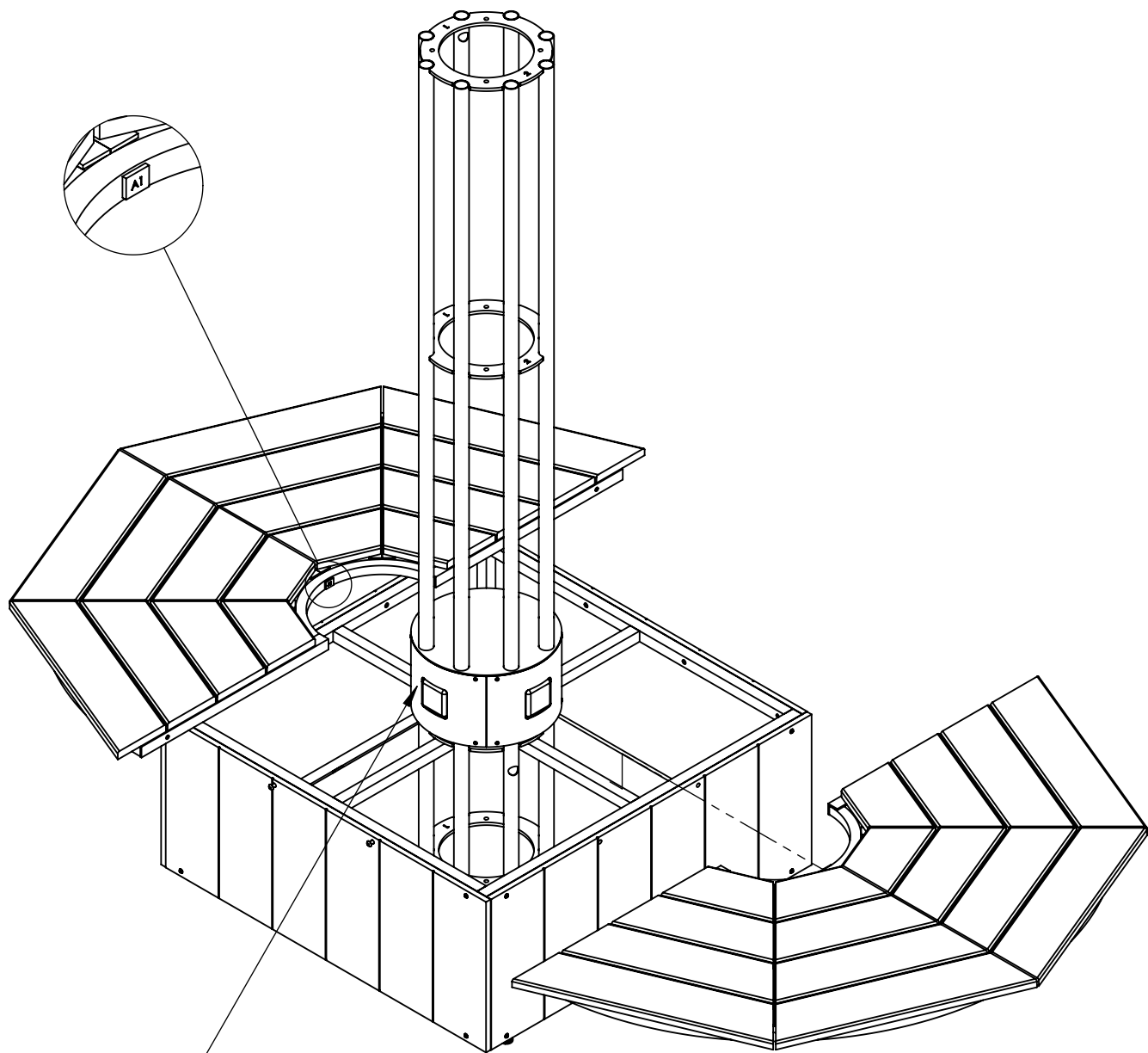
Step 2 : Place the balast in the base (400kg* are needed).
 The balast can be distributed on 4 x 4 x 25kg bags.



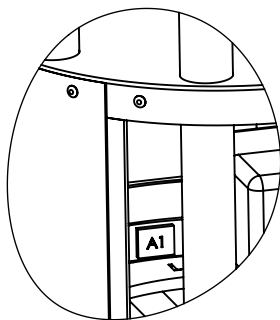
* Weight for a 3-IIIb wind area (see Eurocode)
 The balasting can vary according to the region.


	Tree			
	DS-10-RPB	Mounting instruction		
	M.Boucaud	25/02/2022	1:15	5/10

Step 3 : Place the base by aligning the marks positioned under the cover of the USB sockets. Bolt them to the base on the 8 points under the seat.

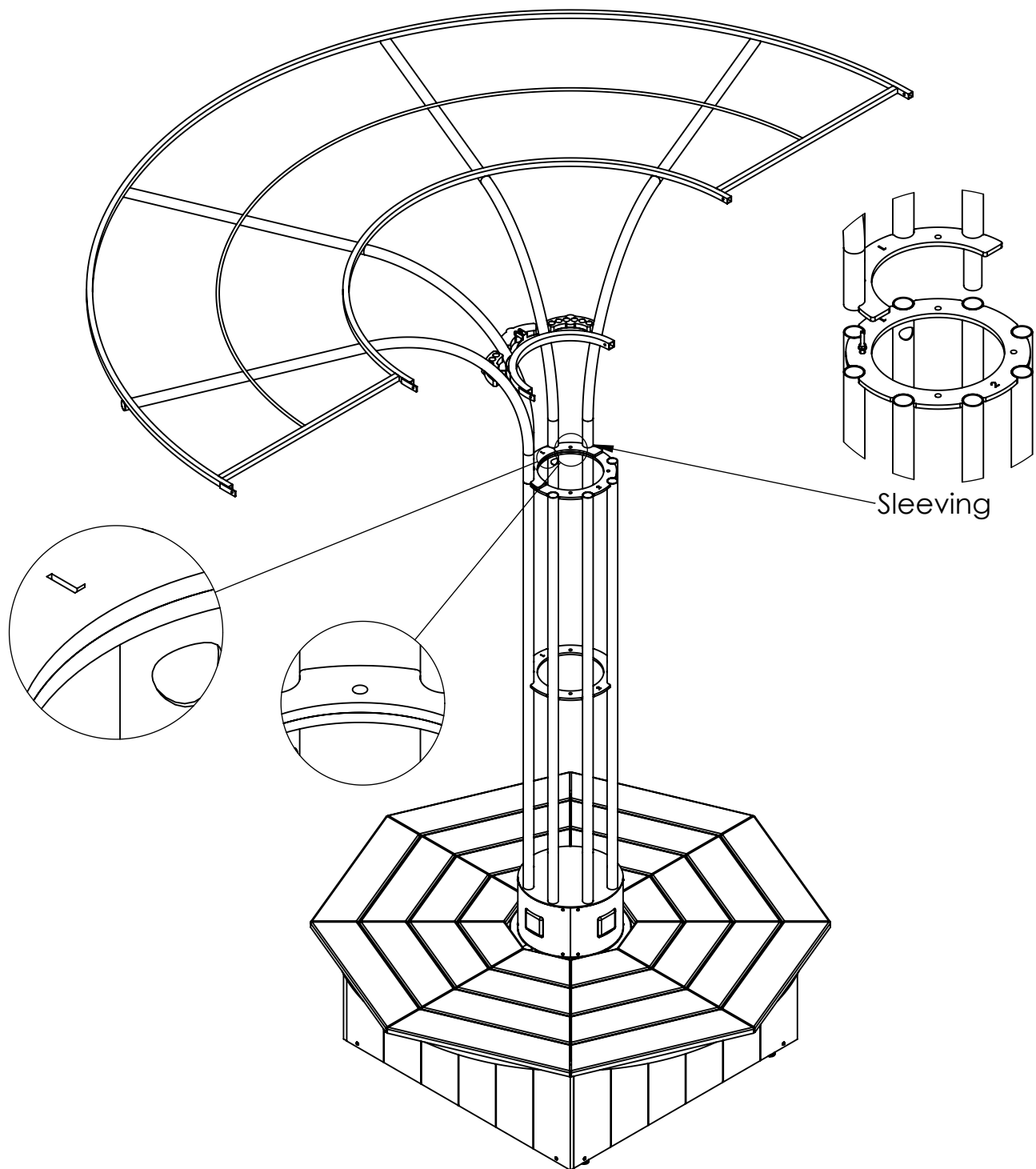



Marks



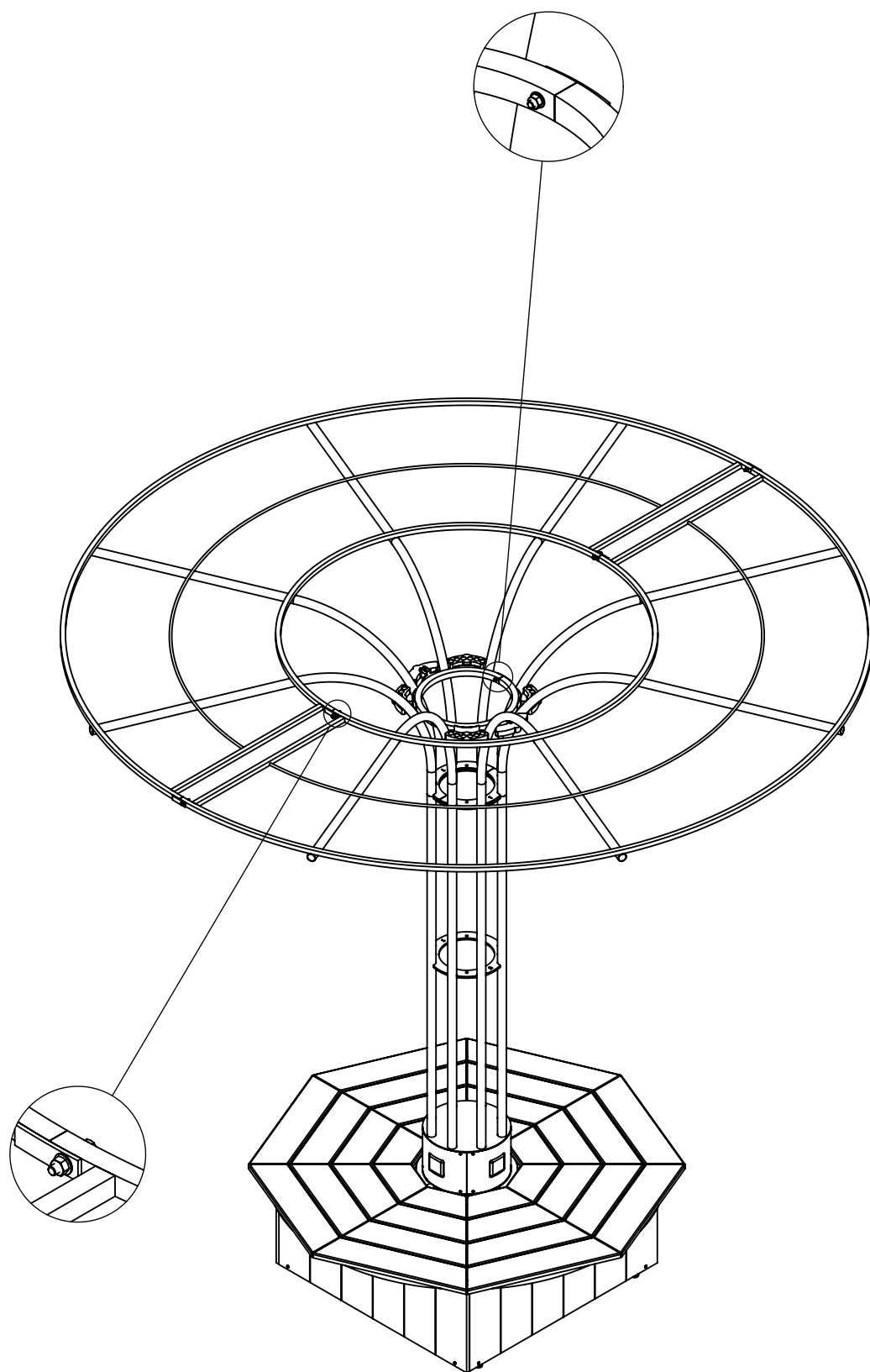
	Tree			
	DS-10-RPB	Mounting instruction		
	M.Boucaud	25/02/2022	1:15	6/10


Step 4 : Install the desired Bioprint or Recyprint decorations on the two parts of the Top, except those straddling the junction. (The kits of Print are not supplied with the tree)
 Lift the first part of the Top, and position it at the top of the base by aligning the marks. Sleeve the Top on the trunk.
 Bolt into position.



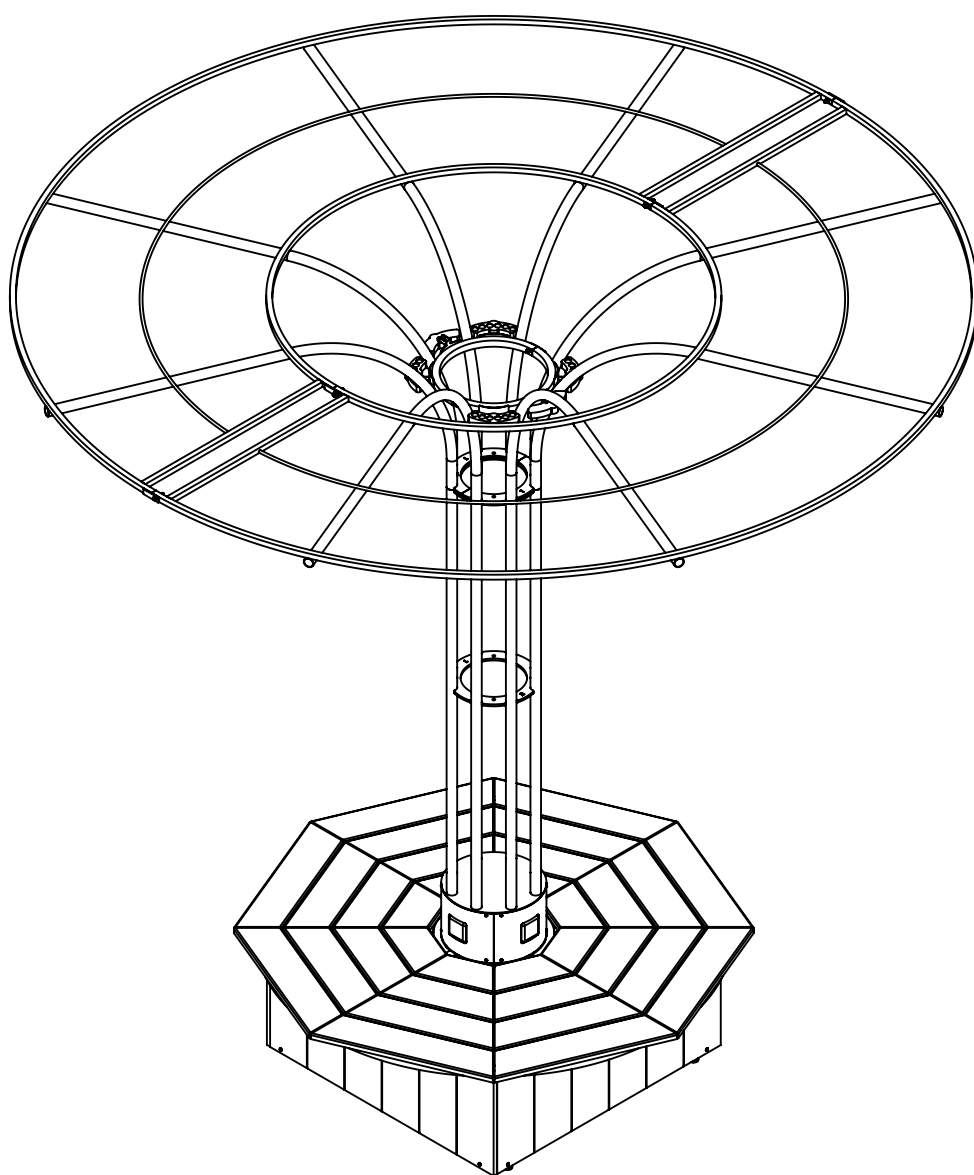
	Tree			
	DS-10-RPB	Mounting instruction		
	M.Boucaud	25/02/2022	1:20	7/10


Step 5 : While maintaining the first part of the Top, position the second part then bolt them together.



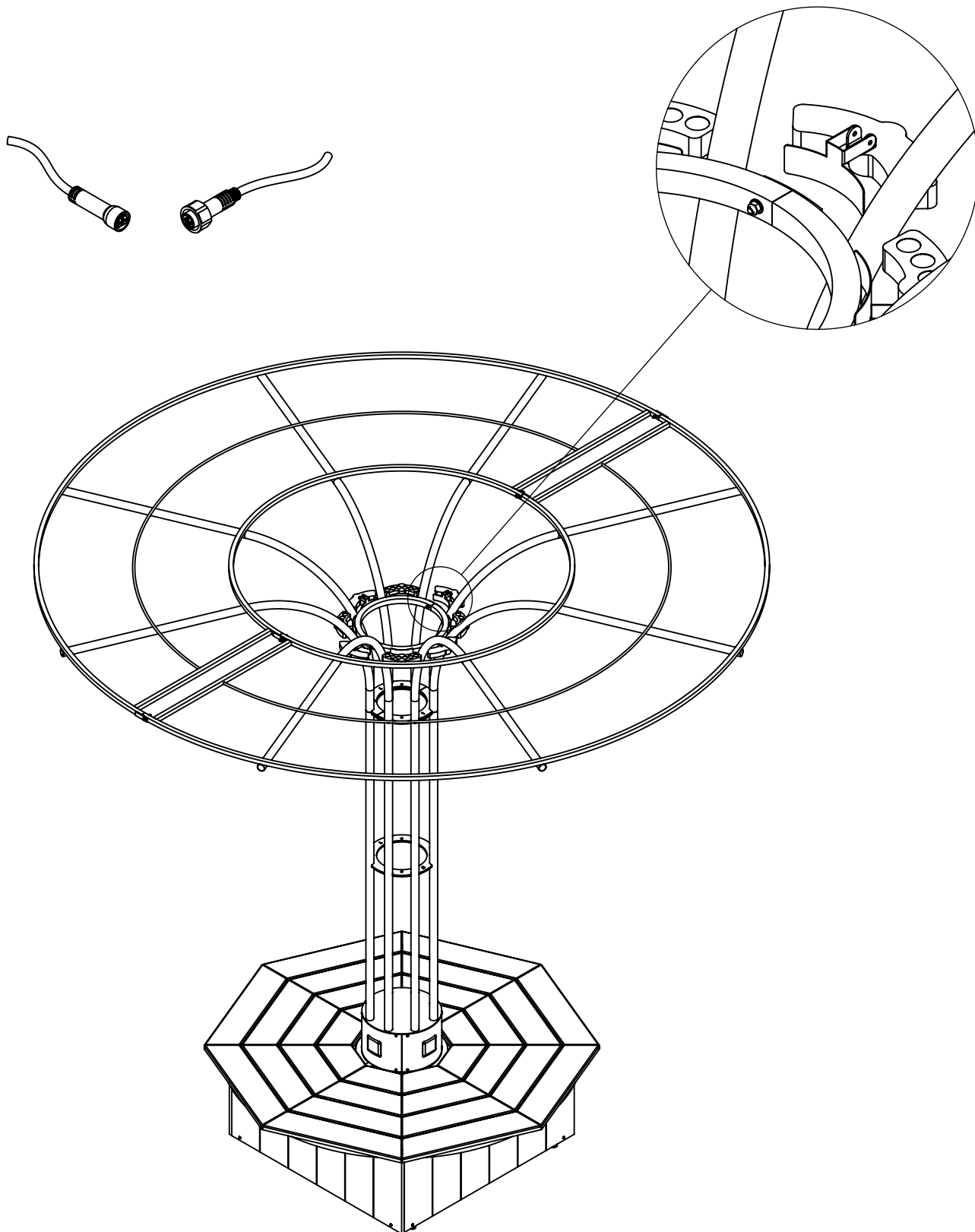
	Tree			
	DS-10-RPB	Mounting instruction		
	M.Boucaud	25/02/2022	1:25	8/10


Step 6 : Install the decorations at the intersection between the top parts.



	Tree			
	DS-10-RPB	Mounting instruction		
	M.Boucaud	25/02/2022	1:25	9/10

Step 7 : Install the last spots at the intersection between its two parts.
 Wire the power supply coming from the top on the supplied cable.
 Plug the connectors at the intersection of the Top and the trunk.
 Pay attention to the labeled connectors to connect sets, 230V or 24V.



	Tree			
	DS-10-RPB	Mounting instruction		
	M.Boucaud	25/02/2022	1:25	10/10