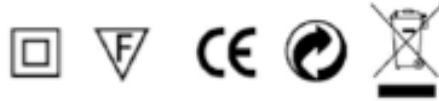
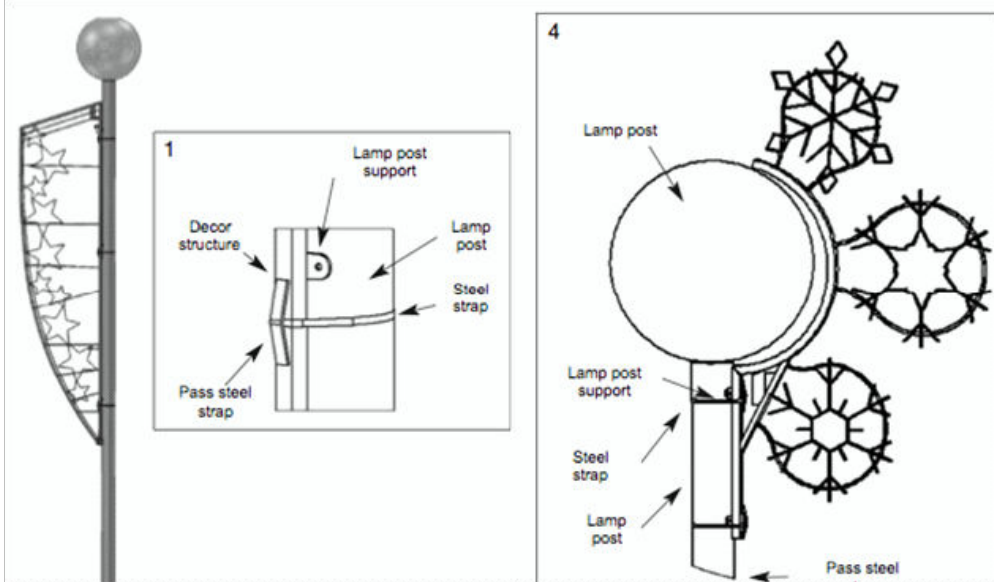


Assembly instructions – Lamp post decor



Please follow these mounting instructions to ensure good working order.

Classic assembling



1. Test your decoration by plugging it in before assembling it on the post.
2. Fix the decoration onto the lamp post by banding it with steel straps (supplied) passing them through the eyelets on the spine of the decoration. *(view picture 1&4).*
3. Protect the lamp post.
4. Ensure the straps are tight.
5. Unwind the power cable and connect it to the power source.
6. Test the decoration again after installation to ensure it is all in good working order.

IMPORTANT



Don't walk over garlands

Don't handle the decor by the garland

Be careful of display operation

Public out of reach